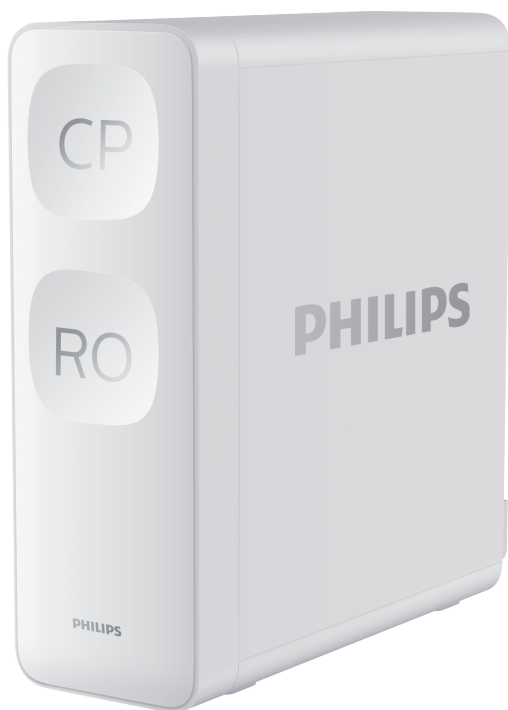


PHILIPS

Water Solutions

Under-the-sink filtration

AUT3015



EN	User manual	1
FR	Manuel d'utilisation	34
RU	Руководство пользователя	69

ES	Manual del usuario	17
IT	Manuale utente	52

Content

I. Product Introduction	1
-------------------------	---

II. Product Specifications	1
----------------------------	---

III. Product overview and installation illustration	2
---	---

IV. Installation	3
Install the three-way ball valve	4
Install the faucet	5
Install the system	6

V. Usage instruction	9
Before the first-time use	9
User interface	10

VI. Maintenance	11
Routine maintenance	11
Filter lifetime	11
Filter cartridge replacement	12

VII. Precautions	12
Warning	12

VIII. Troubleshooting	13
-----------------------	----

IX. Guarantee & Service	15
-------------------------	----

X. Packing list	15
-----------------	----



Installation

I. Product Introduction

Congratulations on your purchase and welcome to Philips! Our reverse osmosis under-the-sink water filtration systems are with high filtration flow rate and tankless design, which ensure every drop of water is freshly filtered and save space. The reverse osmosis membrane has a deep filtration level down to 0.0001 micron, which effectively removes viruses, bacteria, heavy metals, pesticides, water hardness, volatile organic compounds, chlorine, and more, giving you great tasting water.* Read this user manual carefully before you use the appliance. Save it for future reference.

Note:

The water supplied by reverse osmosis systems has low mineral content. The mineral salts required by the human body are provided by food and to a lesser extent by the water we drink.

* The substances removed or reduced by this system are not necessarily in all user's water.

II. Product Specification

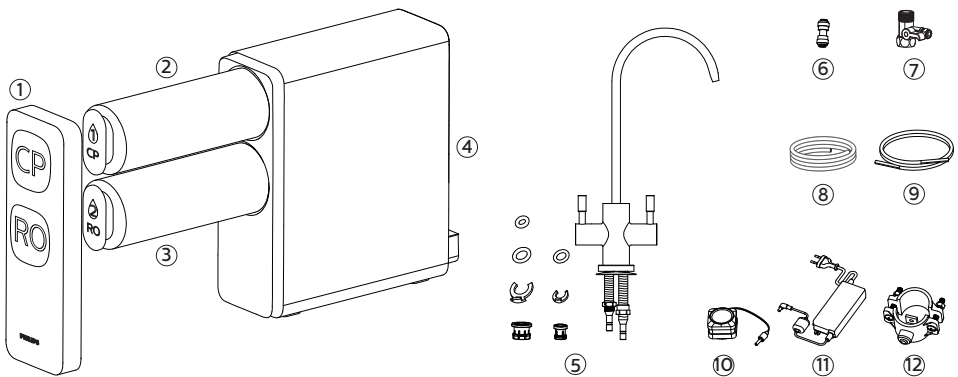
Product name	Philips reverse osmosis under-the-sink water filtration system
Product model	AUT3015
Filtered water flow rate	2 liters/minute
RO filtered water flow rate	1.58 liters/minute
Filtration capacity	CP filter: 6,000 liters RO filter: 11,000 liters
Inlet water pressure	0.1-0.4 MPa**
Inlet water temperature	5°C-38°C
Rated voltage	24V ⁻⁻⁻
Rated power	90W
Maximum inlet water TDS	1500 ppm ^{***}

Maximum inlet water hardness	25 °HF***
Applicable water source	Municipal tap water, which meets all European Directive on Water for Human Consumption 98/83 requirements and its national transpositions in the various EU member states.

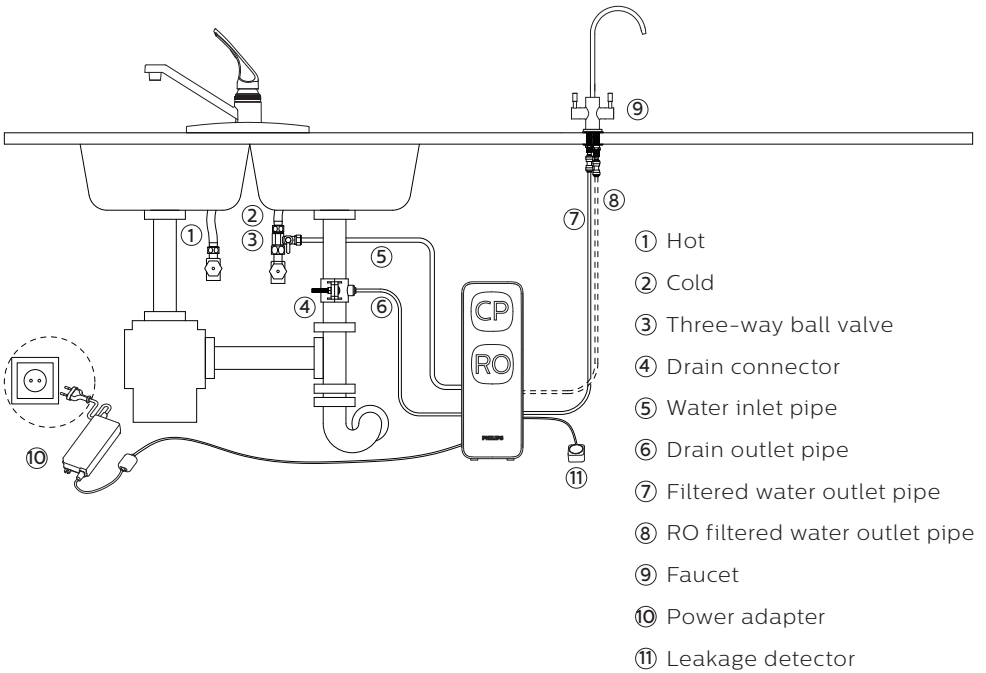
** When the inlet water pressure exceeds 0.4 MPa, a pressure relief valve should be installed before the system. When the inlet water pressure is below 0.1 MPa, a pressure booster should be installed before the system. The pressure relief valve and extra pressure booster need to be purchased separately.

*** If the salinity of inlet water exceeds 1500 ppm, or the hardness exceeds 25 °HF, the lifetime of the filters may be impacted. Please consult with your dealer about installing prefilters before the system.

III. Product overview and installation illustration



- ① Cover
- ② Sediment and carbon block filter 2-in-1 (CP)
- ③ Reverse osmosis filter (RO)
- ④ System
- ⑤ Faucet and accessory
- ⑥ Quick connect fitting
- ⑦ Three-way ball valve
- ⑧ 1/4" PE pipe
- ⑨ 3/8" PE pipe
- ⑩ Leakage detector
- ⑪ Power adapter with plug
- ⑫ Drain connector



IV. Installation

Note:

- Before installation, it is important to check the condition of the system to make sure it has not been damaged during transport.
- Unpack the system and its accessories. Remove the protective packaging material. Recyclable materials have been used for the packaging and should be disposed of in the appropriate recycling bins or at the specific local recycling center.
- Warning: Keep plastic bags out of the reach of children, as they may be dangerous.**
- Check if anything is missing according to the packing list and the overview.
- Given that the system will improve the quality of your drinking water, all tools to be used in the installation process should be clean, rust and grease-free.
- The installation process should be carried out under appropriate hygienic conditions, taking all necessary precautions concerning materials and components that will come into contact with water to be treated or consumed.
- Avoid external contamination of the system through improper handling, using gloves, sanitizing gel, and washing hands as often as is necessary during the installation process, first use, and system maintenance.
- The system and installation shall comply with applicable local regulations.

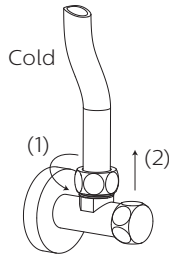
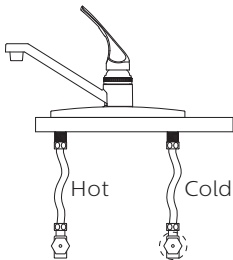
- This product cannot be disposed of with other domestic waste products.

At the end of the product's service life, it should be returned to the place of purchase, or at a local recycling center, indicating that it contains electric and electronic components. The appropriate collection and treatment of the product, which no longer are to be used, contributes to the preservation of natural resources and avoids any potential public health risks.

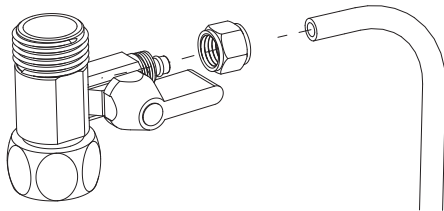


1. Install the three-way ball valve

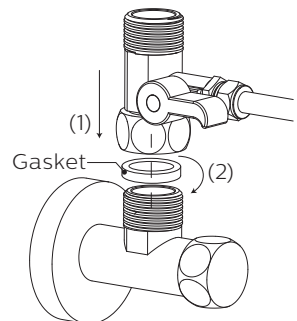
a. Turn off the cold water supply. Turn on the kitchen cold water faucet to release the pressure and allow water to drain from the line. Disconnect the cold water hose from the cold water valve.



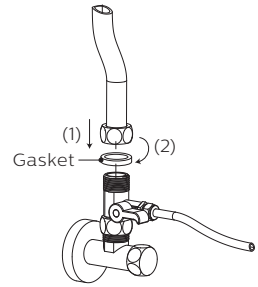
b. Slide the nut of the three-way ball valve onto the 3/8" PE pipe pipe and insert the pipe into the opening of the three-way ball valve. Tighten the nut with a wrench.



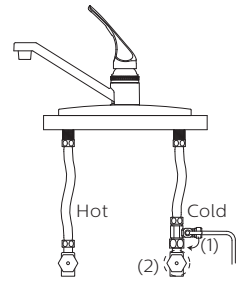
c. Install the three-way ball valve on the cold water valve. Please don't miss the gasket inside the three-way ball valve during installation.



d. Connect the cold water hose with the three-way ball valve and screw it tightly with a wrench. Please don't miss the gasket in the cold water hose during installation.



e. Switch off the three-way ball valve. Turn on the cold water supply. Wipe the connections with a tissue to see if there is leakage. If the tissue stays dry, it means the three-way ball valve is installed properly.

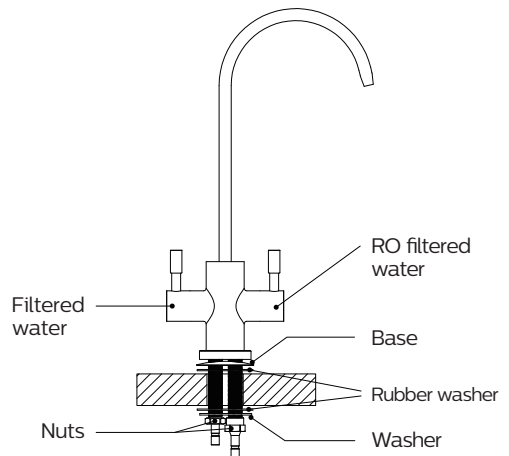


2. Install the faucet

Note:

Select an appropriate installation position. The environment where the faucet is installed should adhere to any appropriate hygiene and sanitation conditions. Make sure the faucet sits flat on top of the sink or countertop surface.

- Drill a hole with a diameter of about 29mm. Skip this step if there is already a hole in the sink or the countertop surface.
- Install the faucet according to the diagram. Screw the faucet stem nuts all the way up the faucet stem, and tighten them to secure the faucet with a 14mm socket spanner.



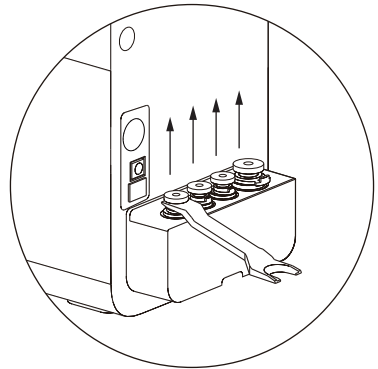
3. Installing the system

Note:

Please check if there is sufficient space for installing the system itself, its accessories, connections, and for servicing and repair. Under no circumstances should the system be installed outdoors. The environment where the system is installed should adhere to any appropriate hygiene and sanitation conditions. Avoid any external dripping liquids from pipes or drains etc onto the system.

This system should be placed on a stable and flat surface. Keep the system away from heat. It shall not be placed in a place that may have inflammable gas leakage.

- a. Press down the collets and pull out the plugs of the water inlet and outlet holes in the back of the system.



- b. Connect the water inlet and the three-way ball valve.

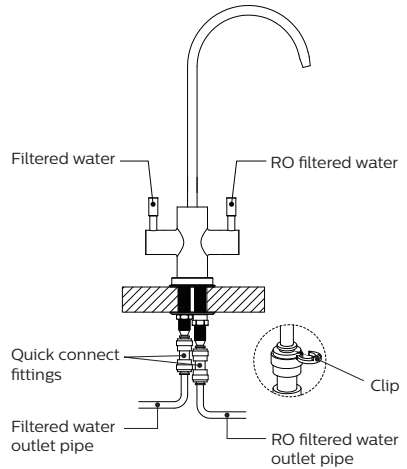
Measure the length of the 3/8" pipe you need to connect the system and the three-way ball valve, and cut it accordingly with a pipe cutter. Insert the other end of the 3/8" pipe which has been connected with the three-way ball valve into the water inlet hole in the back of the system. Use a clip to secure the pipe at the hole.

Note: The inlet water pressure should be within 0.1–0.4 MPa. If the pressure is too low, a pressure booster should be installed prior to the system. If the pressure is too high, a pressure relief valve should be installed prior to the system.

- c. Connect the water outlets and the faucet.

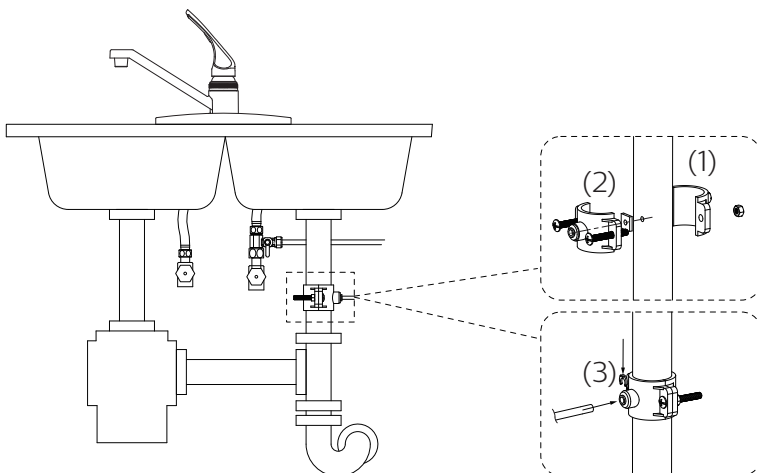
After you measure the length of the 1/4" pipe you need to connect the system and the faucet, cut the 1/4" pipe with a pipe cutter. Insert one end of the pipe into a quick connect fitting, and connect the quick connect fitting on the longer stem

of the faucet. Insert the other end of the 1/4" pipe into the RO filtered water outlet hole in the back of the system until it stops. Use a clip to secure the pipe at the hole. Cut another 1/4" pipe with the pipe cutter. Insert one end of the pipe into a quick connect fitting, and connect the quick connect fitting on the shorter stem of the faucet. Insert the other end of the 1/4" pipe into the filtered water outlet hole in the back of the system until it stops. Use a clip to secure the pipe at the hole.



d. Connect the drain water outlet and the drain connector

Identify the drain outlet location. Drill a 6.5mm hole on the drain pipe. Install the drain connector according to the diagram. Securely tighten the nuts. Cut a section of 1/4" pipe. Insert one end of the pipe into the drain outlet hole in the back of the system until it stops. Use a clip to secure the pipe at the hole. Insert the other end of the pipe into the drain connector.

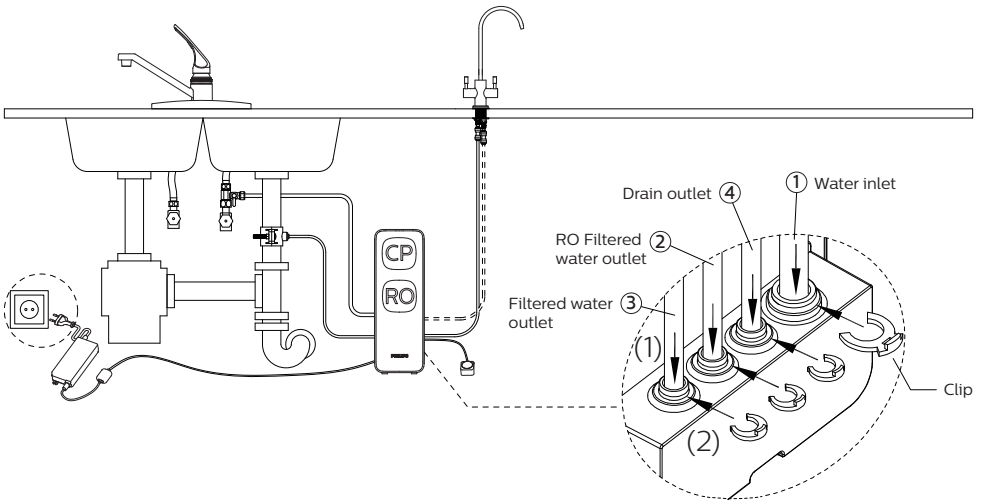


Note:

- Do not install the drain connector onto the same drain pipe as the garbage disposal.
- Do not penetrate opposite side of the pipe when drilling the hole.

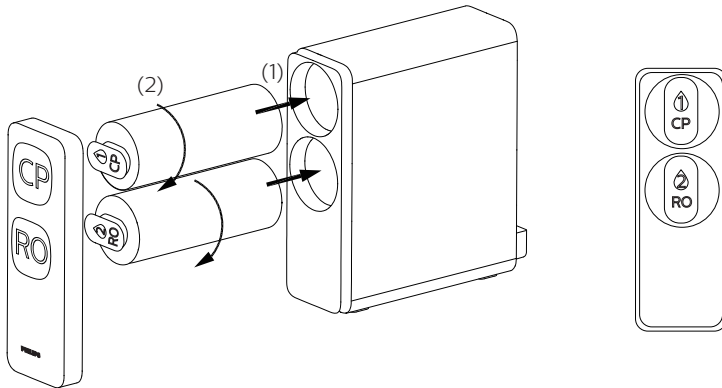
e. Connect the leakage detector and the power adapter with the system.

DO NOT put the plug in the socket yet.

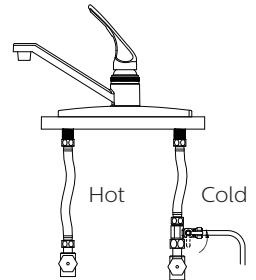


f. Move the system to its space in the under-the-sink cabinet and place the leakage detector next to the system on the floor, which should be dry.

g. Remove the plastic wrap of the filter cartridges. Insert the filter cartridges in the system accordingly, and turn them clockwise to align the triangle icon on the filter cartridge with the lock icon on the system.



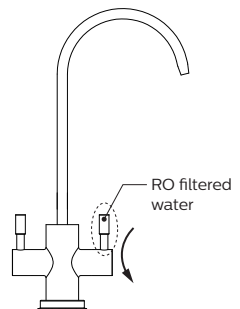
- h. Check if the system is installed properly, and turn on the three-way ball valve.



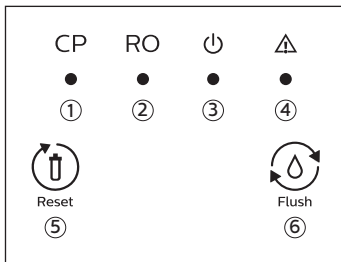
V. Using the system

1. Before the first-time use

- a. Connect the system with power. You will hear a beep, and all indicators will light up for 3 seconds. The system flush will be automatically on. Wipe all the joints and connections with tissue to check if there is leakage. If the tissue stays dry, it means the system is installed properly. If there is no further operation after the auto-flush, the system will turn into standby mode, and the indicators will be off.
- b. After the auto-flush is completed, turn on the RO filtered water lever of the faucet to allow water to run for 30 minutes to flush the air and carbon fines through the filters. After that, the system is ready and you can start to consume the filtered water.



2. User interface



- ① CP filter lifetime indicator
- ② RO filter lifetime indicator
- ③ Power indicator
- ④ Error indicator
- ⑤ Reset button
- ⑥ Flush button

When the faucet is turned on, all the indicators will light up to show the filter lifetime, the power status, and the error indicator will be off unless there is an error.

a. Filter lifetime indicator

Status	Indicator	Sound alert
More than 14 days	Constant blue light	N/A
Less than 14 days	Flashing red light	There will be beeps whenever the faucet is turned on, reminding you to replace the filter.
The filter has reached the end of life and should be replaced immediately	Constant red light	There will be beeps whenever the faucet is turned on, reminding you to replace the filter.

b. Error indicator

- If the faucet is constantly turned on for 2 hours, the system will go into protection mode and shut down. Meanwhile, the error indicator flashes in red, and you will hear beeps. Unplug the system, wait for 1 minute, and plug in again to shoot the trouble.
- When a leakage is detected, the error indicator will constantly light up in red, and you will hear beeps. The system will go into protection mode and shut down. Please refer to the troubleshooting to resolve the issue.

c. Auto-flush

- The system flushes automatically when it is powered up.
- The system flushes automatically when it has been filtering water continuously for 5 minutes.
- The system flushes automatically when it hasn't been filtering water for 72 hours.

d. Flush button

You may manually flush the system by pressing the flush button when the system is in standby mode. During the flush, press the flush button again to stop it.

e. Reset button

To reset the filter lifetime, long press the reset button for 5 seconds. You will hear a beep, and the indicator of CP filter lifetime flashes blue. Short press the reset button again to select the filter that needs to be reset.

When the indicator of the selected filter flashes, long-press the reset button for 3 seconds. You will hear a beep, and the indicator will show constant blue light. This means the filter lifetime has been reset successfully.

VI. Maintenance

1. Routine maintenance

- Organic solvent such as gasoline etc. shall not be used for wiping the housing of the device. If cleaning is required, please gently wipe the surface of the product with a wet cloth after it is disconnected from the power supply.
- If the system is not used for more than 2 days, turn on the faucet and allow the water to run for at least 5 minutes to flush the filters and the system.
- If the system will not be used for an extended period, take out the filter cartridges, seal them with plastic wraps, and store them in the refrigerator (not in the freezer). Turn off the three-way ball valve, turn on the faucet to empty the system, and turn off the power. Before using it again, allow the water to run for at least 10 minutes to flush the filters and the system.

2. Filter lifetime

Note

For the best performance, please change your filter cartridge according to the filter lifetime indicator, or the filter replacement cycle suggested below. When a significantly lower flow rate is observed, we recommend changing the filters as well.

This system can only work with Philips filters.

System model code	AUT3015
Filter, model code, and filter lifetime	CP filter, AUT706, 6-12 months*
	RO filter, AUT767, 24-36 months*

* The actual lifetime of the filter cartridge depends on the local tap water quality and daily usage. The recommended replacement cycle is an average based on different local tap water quality. If the local tap water quality is below the average, the actual lifetime of the cartridge would differ from the recommended replacement cycle. If the filter cartridge is blocked, please replace it.

3. Filter cartridge replacement

- a. Turn off the power and water supply before replacing the filter cartridges.
- b. Remove the front cover.
- c. Turn the filter that needs to be replaced anticlockwise and pull it out.
- d. Remove the packaging of the new filter and insert the cartridge in the system. Turn it clockwise to align the triangle icon on the filter cartridge with the lock icon on the system.
- e. Turn on the water supply and re-connect with power. If the RO filter is replaced, turn on the RO filtered water lever of the faucet and allow the water to run for 30 minutes. If the CP filter is replaced, turn on the filtered water lever of the faucet and allow water to run for 10 minutes.
- f. Reset the filter lifetime according to chapter V.

Note:

In the process of the filter replacement, if there is water dripping from the filter, it may set off the leakage detector when you reconnect with power. Make sure the leakage detector and the floor is wiped dry before you reconnect with power.

VII. Precautions

1. Warning

- This is NOT a water purifier. Always use municipal tap water as the water source. Do not use water that is microbiologically unsafe or of unknown quality without adequate disinfection before or after the system.
- This system is not intended for use by persons (including children) with reduced physical sensory or mental capabilities, or lack of experience and knowledge unless they have been given supervision or instruction concerning the use of the appliance by a person responsible for their safety. Children should be supervised to ensure that they do not play with the system.

- Be sure to handle the system gently and carefully. Do not attempt to modify or repair the system yourself, otherwise, the warranty becomes invalid.
- This device is intended for domestic use only.
- The inlet water temperature of the system should be within 5–38°C. When the inlet water temperature exceeds 38°C, the filter could be damaged and become invalid. If the inlet water temperature is lower than 5°C, it may cause freezing and the parts of the system to rupture, resulting in water leakage.
- Do not reverse the installation order of the filter cartridges to avoid affecting the filter performance of the system.
- If the system is abnormal or faulty, stop using it immediately. Close the inlet water valve, and turn on the faucet to empty the system. Events of faults include:
Leakage
The product is cracked or damaged There is an abnormal sound or burnt smell
The machine does not work
Please contact consumer care for inspection immediately.
- If not using the system for an extended period, turn off the water supply, and turn on the faucet to release the internal pressure to avoid damage to the system.

VIII. Troubleshooting

Problem	Possible cause	Solution
No water comes out from the faucet.	Cold water valve or the three-way ball valve is turned off.	Turn on the valves.
	The system is not connected with power.	Check if the power adapter is connected to the system and the power socket properly.
The flow rate gets slower.	Filter is blocked.	Replace the filter.
	Inlet water pressure is low.	Wait until the inlet water pressure gets stable, or install a pressure boost before the system if the inlet water pressure is constantly lower than 0.1 MPa.

Poor outlet water quality.	Filter has reached the end of life.	Replace the filter.
	The system hasn't been used for some time.	Turn on the faucet and allow the water to run for 5 minutes.
	The inlet water quality is poor.	Always use municipal tap water as the water source. Do not use water that is microbiologically unsafe or of unknown quality without adequate disinfection before or after the system.
Error indicator lights up in red, and there are beeps.	There is leakage.	Check if the pipes and filters are connected properly. Turn off the power supply. Wipe the leakage detector and the floor, and make sure they are dry. Reconnect with power.
	The leakage detector is abnormal.	Contact consumer care.
	The system has been filtering water continuously for 2 hours.	Unplug the system, wait for 1 minute, and plug in again to shoot the trouble.
	The PCB board is damaged.	Contact consumer care.
Filter lifetime indicators don't light up when the faucet is turned on.	The electronic module is damaged.	Contact consumer care.
The reset button doesn't work.	Didn't press the button long enough to trigger the reset.	Long press the reset button for 5 seconds.
The flush button doesn't work.	The button module is damaged.	Contact consumer care.
Indicators don't light up.	The system is not connected with power.	Check if the power adapter is connected to the system and the power socket properly.
	The light board is damaged.	Contact consumer care.

IX. Guarantee & Service

If you need information or if you have any problems, please visit www.philips.com or contact the consumer care center in your country. If there is no consumer care center in your country, go to a local dealer. Within two years from the date of purchase, you will receive free warranty service for any damage caused by the manufacturing process, or components under normal operation confirmed by our maintenance service. The warranty service does not include frequently replaced consumable components, auxiliary devices, transportation fees, and door-to-door service. Please show the proof of purchase to the service personnel during maintenance.

X. Packing list

System	1X
CP filter	1X
RO filter	1X
Power adapter with plug	1X
Three-way ball valve	1X
1/4" PE pipe	1X
3/8" PE pipe	1X
Faucet and accessory	1X
User manual	1X
Leakage detector	1X
Drain connector	1X

Contenido

I. Introducción del producto	17
------------------------------	----

II. Especificaciones del producto	17
-----------------------------------	----

III. Descripción general del producto e ilustración de instalación	18
--	----

IV. Instalación	19
Instale la válvula de bola de tres vías	20
Instale el grifo	22
Instalación del sistema	22

V. Instrucción de uso	26
Antes del primer uso	26
Interfaz de usuario	26

VI. Mantenimiento	28
Mantenimiento de rutina	28
Vida útil del filtro	28
Reemplazo del cartucho de filtro	29

VII. Precauciones	29
Advertencia	29

VIII. Resolución de problemas	30
-------------------------------	----

IX. Garantía y servicio	32
-------------------------	----

X. Lista de componentes	32
-------------------------	----



I. Instalación

Felicitaciones por su compra y bienvenido a Philips! Nuestros sistemas de filtración de agua por ósmosis inversa debajo del fregadero tienen un alto índice de flujo de filtración y un diseño sin depósito, lo que garantiza que cada gota de agua se filtre al instante y ahorre espacio. La membrana de ósmosis inversa tiene un nivel de filtración profundo de hasta 0,0001 micras, que elimina eficazmente virus, bacterias, metales pesados, pesticidas, dureza del agua, compuestos orgánicos volátiles, cloro y más, brindándole un agua de excelente sabor.*

Lea este manual de usuario detenidamente antes de utilizar el aparato. Guárdelo para referencia futura.


Nota:

El agua suministrada por los sistemas de ósmosis inversa tiene un bajo contenido de minerales. Las sales minerales que necesita el cuerpo humano las aportan los alimentos y, en menor medida, el agua que bebemos.

* Las sustancias eliminadas o reducidas por este sistema no están necesariamente en el agua de todos los usuarios.

II. Especificaciones del producto

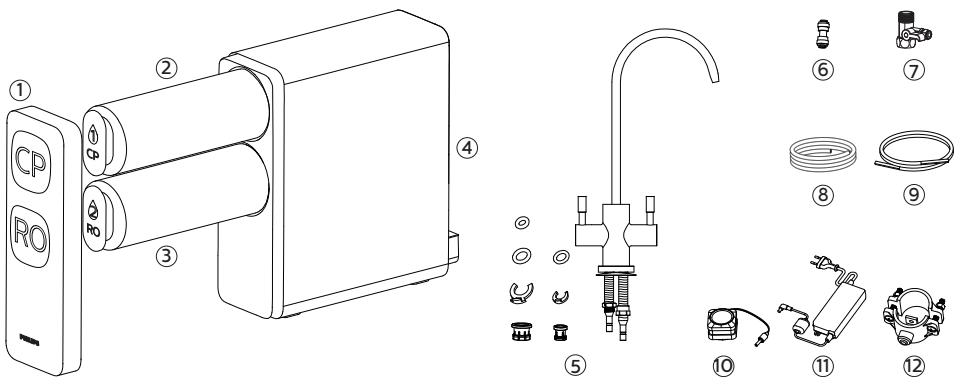
Nombre del producto	Philips sistema de filtración de agua por ósmosis inversa debajo del fregadero
Modelo del producto	AUT3015
Caudal de agua filtrada	2 litros/minuto
Caudal de agua filtrada por ósmosis inversa	1,58 litros/minuto
Capacidad de filtración	Filtro CP: 6.000 litros Filtro de ósmosis inversa: 11.000 litros
Presión de entrada de agua	0,1-0,4 MPa**
Temperatura del agua de entrada	5°C-38°C

Voltaje nominal	24V 
Potencia nominal	90W
TDS máximo de agua de entrada	1500 ppm***
Dureza máxima del agua de entrada	25 °HF***
Fuente de agua aplicable	Agua del grifo municipal, que cumple con todos los requisitos de la Directiva europea sobre agua para consumo humano 98/83 y sus transposiciones nacionales en los distintos estados miembros de la UE.

** Cuando la presión del agua de entrada supera los 0,4 MPa, se debe instalar una válvula de alivio de presión antes del sistema. Cuando la presión del agua de entrada es inferior a 0,1 MPa, se debe instalar un amplificador de presión antes del sistema. La válvula de alivio de presión y el amplificador de presión adicionales deben comprarse por separado.

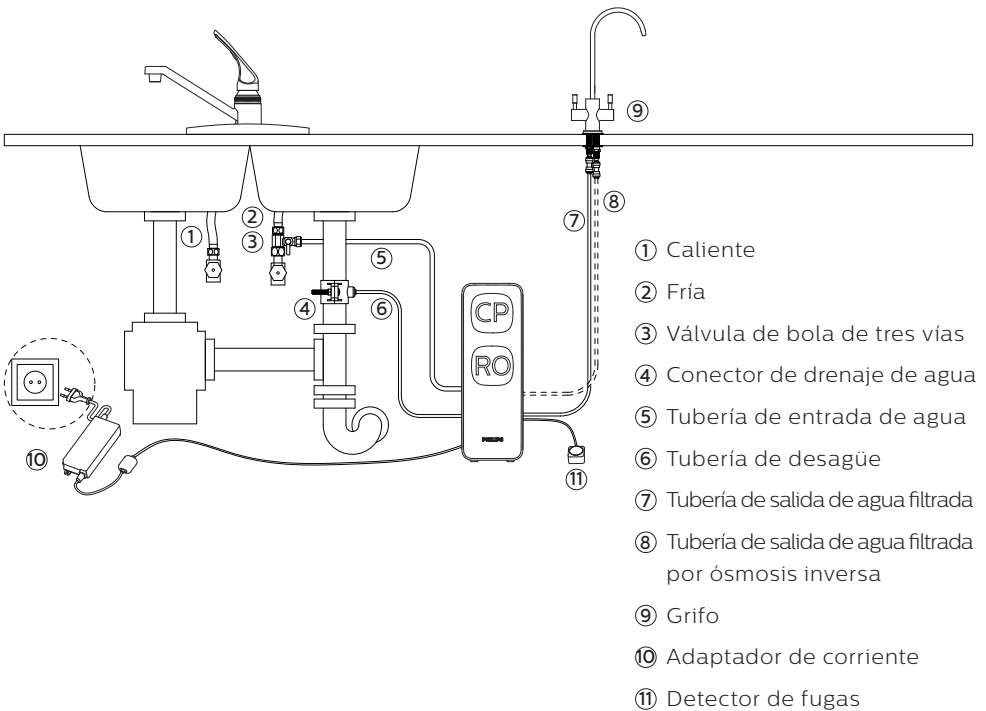
*** Si la salinidad del agua de entrada supera las 1500 ppm o la dureza supera los 25 °HF, la vida útil de los filtros puede verse afectada. Consulte con su distribuidor sobre la instalación de prefiltros antes del sistema.

III. Descripción general del producto e ilustración de instalación



- ① Cubierta
- ② Filtro de bloque de carbón y sedimentos 2 en 1 (CP)
- ③ Filtro de ósmosis inversa (RO)
- ④ Sistema
- ⑤ Grifería y accesorios
- ⑥ Accesorio de conexión rápida

- ⑦ Válvula de bola de tres vías
- ⑧ Tubería de PE de 1/4 "
- ⑨ Tubería de PE de 3/8"
- ⑩ Detector de fugas
- ⑪ Adaptador de corriente con enchufe
- ⑫ Conector de drenaje de agua



IV. Instalación

Nota:

- Antes de la instalación, es importante verificar el estado del sistema para asegurarse de que no se haya dañado durante el transporte.

- Desembale el sistema y sus accesorios. Retire el material de embalaje protector. Se han utilizado materiales reciclables para el embalaje y deben eliminarse en los contenedores de reciclaje apropiados o en el centro de reciclaje local específico.

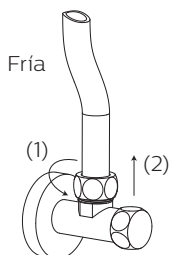
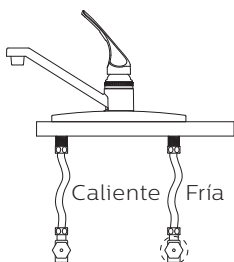
Advertencia: Mantenga las bolsas de plástico fuera del alcance de los niños, ya que pueden ser peligrosas.

- Compruebe si falta algo de acuerdo con la lista de componentes y la descripción general.
- Dado que el sistema mejorará la calidad de su agua potable, todas las herramientas que se utilizarán en el proceso de instalación deben estar limpias, libres de óxido y grasa.
- El proceso de instalación debe realizarse en condiciones higiénicas adecuadas, tomando todas las precauciones necesarias en cuanto a materiales y componentes que entrarán en contacto con el agua a tratar o consumir.
- Evite la contaminación externa del sistema mediante un manejo inadecuado, el uso de guantes, gel desinfectante y el lavado de manos con la frecuencia necesaria durante el proceso de instalación, primer uso y mantenimiento del sistema.
- El sistema y la instalación deben cumplir con las normativas locales aplicables.
- Este producto no se puede eliminar con otros residuos domésticos. Al final de la vida útil del producto, debe devolverse al lugar de compra o al centro de reciclaje local, indicando que contiene componentes eléctricos y electrónicos. La recogida y el tratamiento adecuados del producto, que ya no se utilizará, contribuye a la conservación de los recursos naturales y evita los posibles riesgos para la salud pública.

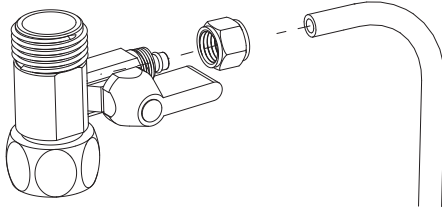


1. Instale la válvula de bola de tres vías

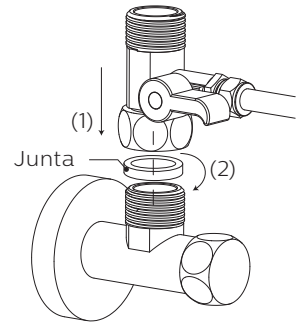
- Corte el suministro de agua fría. Abra el grifo de agua fría de la cocina para liberar la presión y permitir que el agua se drene de la tubería. Desconecte la manguera de agua fría de la válvula de agua fría.



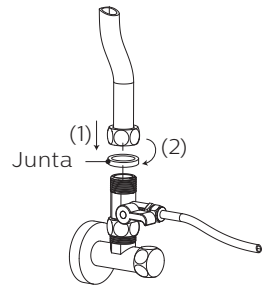
- b. Deslice la tuerca de la válvula de bola de tres vías en la tubería de PE de 3/8" e inserte la tubería en la abertura de la válvula de bola de tres vías. Apriete la tuerca con una llave.



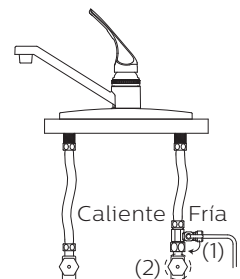
- c. Instale la válvula de bola de tres vías en la válvula de agua fría. No se olvide de la junta dentro de la válvula de bola de tres vías durante la instalación.



- d. Conecte la manguera de agua fría con la válvula de bola de tres vías y atornillela firmemente con una llave. No se olvide de la junta de la manguera de agua fría durante la instalación.



- e. Cierre la válvula de bola de tres vías. Active el suministro de agua fría. Limpie las conexiones con un pañuelo de papel para ver si hay fugas. Si el pañuelo permanece seco, significa que la válvula de bola de tres vías está instalada correctamente.

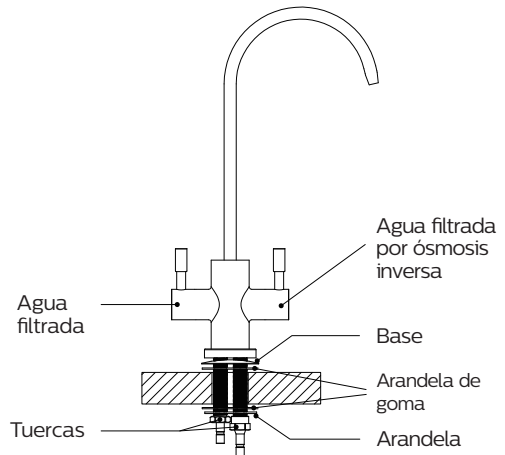


2. Instale el grifo

Nota:

Seleccione una posición de instalación adecuada. El entorno donde se instale el grifo debe cumplir con las condiciones adecuadas de higiene y saneamiento. Asegúrese de que el grifo quede plano sobre el fregadero o la superficie de la encimera.

- Taladre un orificio con un diámetro de unos 29 mm. Omite este paso si ya hay un orificio en el fregadero o en la superficie de la encimera.
- Instale el grifo de acuerdo con el diagrama. Atornille las tuercas del vástago del grifo hasta el final del vástago del grifo y apriételas para asegurar el grifo con una llave de tubo de 14 mm.



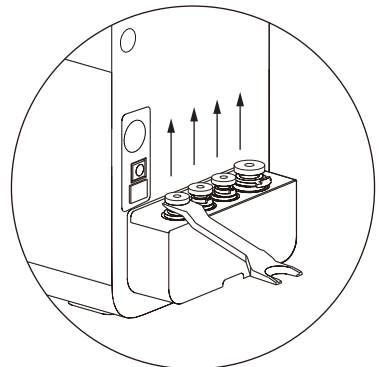
3. Instalación del sistema

Nota:

Compruebe si hay suficiente espacio para instalar el sistema en sí, sus accesorios, las conexiones y para el mantenimiento y la reparación. Bajo ninguna circunstancia se debe instalar el sistema al aire libre. El entorno donde se instala el sistema debe cumplir con las condiciones de higiene y saneamiento adecuadas. Evite cualquier goteo externo de líquidos de tuberías o desagües, etc. en el sistema.

Este sistema debe colocarse sobre una superficie estable y plana. Mantenga el sistema alejado del calor. No debe colocarse en un lugar que pueda tener fugas de gas inflamable.

- Presione hacia abajo las pinzas y saque los tapones de los orificios de entrada y salida de agua en la parte posterior del sistema.



b. Conecte la entrada de agua y la válvula de bola de tres vías.

Mida la longitud de la tubería de 3/8" que necesita para conectar el sistema y la válvula de bola de tres vías, y córtela en consecuencia con un cortatubos.

Inserte el otro extremo de la tubería de 3/8" que se ha conectado con la válvula de bola de tres vías en el orificio de entrada de agua en la parte posterior del sistema. Use una pinza para asegurar la tubería en el orificio.

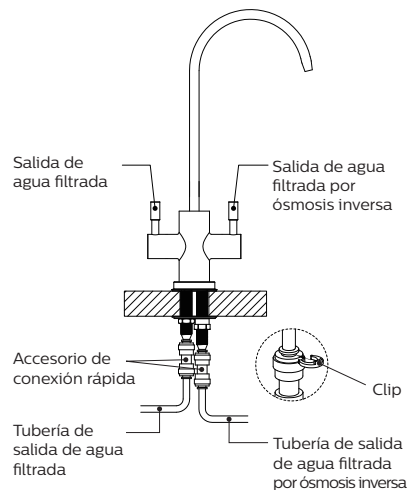
Nota: La presión del agua de entrada debe estar entre 0,1 y 0,4 MPa. Si la presión es demasiado baja, se debe instalar un amplificador de presión antes del sistema. Si la presión es demasiado alta, se debe instalar una válvula de alivio de presión antes del sistema. La válvula de alivio de presión y el amplificador de presión adicionales deben comprarse por separado.

c. Conecte las salidas de agua y el grifo.

Después de medir la longitud de la tubería de 1/4" debe conectar el sistema y el grifo, corte la tubería de 1/4" con un cortatubos. Inserte un extremo de la tubería en un accesorio de conexión rápida y conecte el accesorio de conexión rápida en el vástago más largo del grifo. Inserte el otro extremo del tubo de 1/4" en el orificio de salida de agua filtrada por ósmosis inversa en la parte posterior del sistema hasta que se detenga. Use una pinza para asegurar la tubería en el orificio.

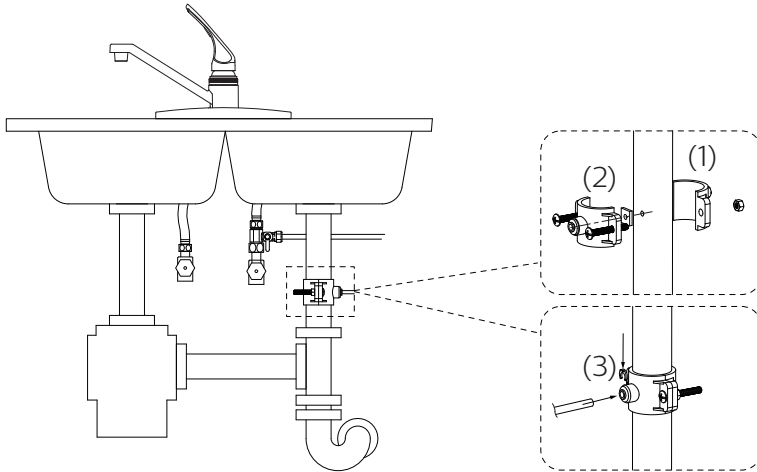
Corte otro tubo de 1/4" con el cortatubos.

Inserte un extremo de la tubería en un accesorio de conexión rápida y conecte el accesorio de conexión rápida en el vástago más corto del grifo. Inserte el otro extremo de la tubería de 1/4" en el orificio de salida de agua filtrada en la parte posterior del sistema hasta que se detenga. Use una pinza para asegurar la tubería en el orificio.



d. Conecte la toma de agua de drenaje y el conector de drenaje.

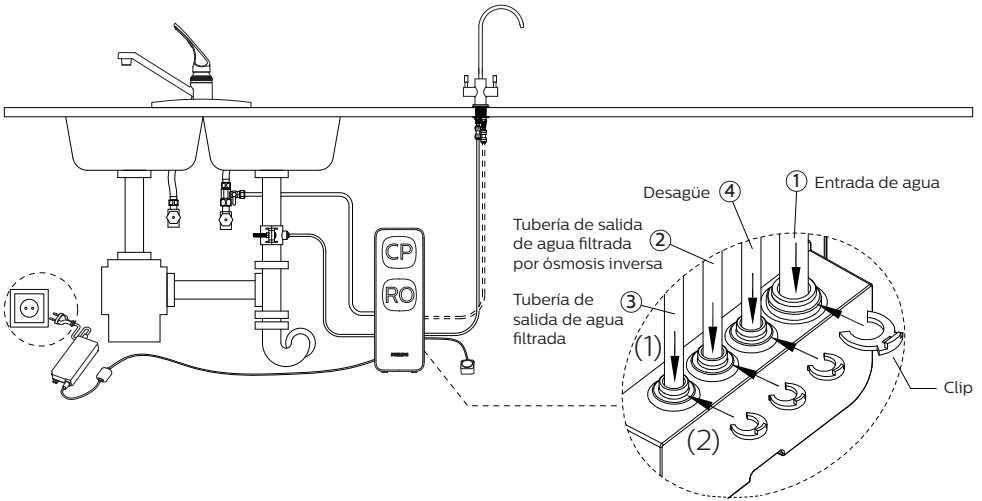
Identifique la ubicación de salida del desagüe. Perfore un agujero de 6.5 mm en la tubería de drenaje. Instale el conector de drenaje según el diagrama. Apriete bien las tuercas. Corte una sección de tubería de 1/4 ". Inserte un extremo de la tubería en el orificio de salida de drenaje en la parte posterior del sistema hasta que se detenga. Utilice un clip para asegurar la tubería en el agujero. Inserte el otro extremo de la tubería en el conector de drenaje.



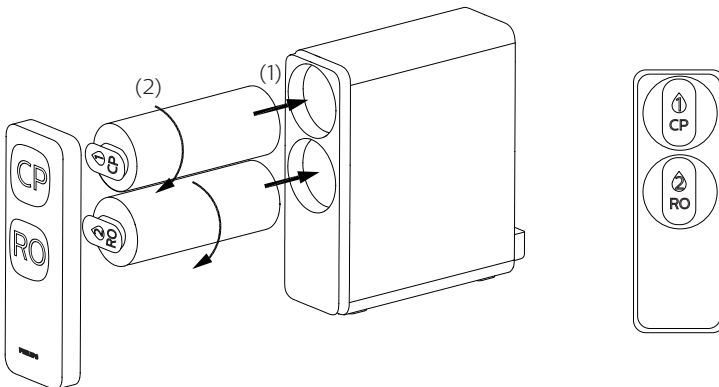
Nota:

- No instale el conector de drenaje en la misma tubería de drenaje que el triturador de basura.
- No penetre en el lado opuesto de la tubería al perforar el agujero.

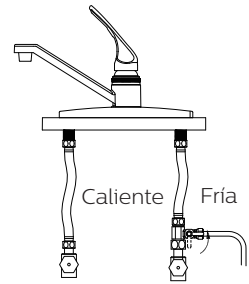
- e. Conecte el detector de fugas y el adaptador de corriente con el sistema.
NO conecte el enchufe en la toma todavía.



- f. Mueva el sistema a su espacio en el armario debajo del fregadero y coloque el detector de fugas junto al sistema en el suelo, que debe estar seco.
- g. Retire la envoltura de plástico de los cartuchos de filtro. Inserte los cartuchos de filtro en el sistema según corresponda y gírelos en el sentido de las agujas del reloj para alinear el icono de triángulo del cartucho de filtro con el icono de candado del sistema.



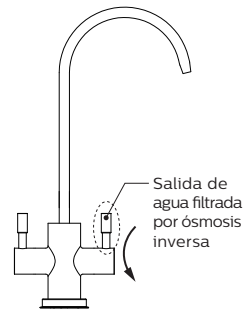
h. Compruebe si el sistema está instalado correctamente y encienda la válvula de bola de tres vías.



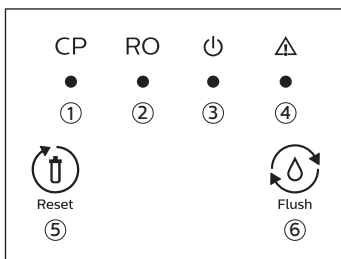
V. Instrucción de uso

1. Antes del primer uso

- a. Conecte el sistema a la alimentación eléctrica. Escuchará un pitido y todos los indicadores se iluminarán durante 3 segundos. La descarga del sistema se activará automáticamente. Limpie todas las uniones y conexiones con un pañuelo para comprobar si hay fugas. Si el pañuelo permanece seco, significa que el sistema está instalado correctamente. Si no hay más operaciones después de la descarga automática, el sistema se pondrá en modo de espera y los indicadores se apagarán.
- b. Después de que se complete el lavado automático, abra la salida de agua filtrada por ósmosis inversa del grifo para permitir que el agua corra durante 30 minutos para eliminar el aire y los finos de carbón a través de los filtros. Después de eso, el sistema está listo y puede comenzar a consumir el agua filtrada.



2. Interfaz de usuario



- ① Indicador de vida útil del filtro de ósmosis inversa
- ② Indicador de duración del filtro RO
- ③ Indicador de encendido
- ④ Indicador de error
- ⑤ Botón de restablecimiento
- ⑥ Botón de descarga

Cuando se abre el grifo, todos los indicadores se iluminarán para mostrar la vida útil del filtro, el estado de la alimentación y el indicador de error se apagará a menos que haya un error.

a. Indicador de vida útil del filtro

Estado	Indicador	Alerta sonora
Más de 14 días	Luz azul constante	No disponible
Menos de 14 días	Luz roja intermitente	Habrà pitidos cada vez que se abra el grifo, recordándole que debe reemplazar el filtro.
El filtro ha llegado al final de su vida útil y debe reemplazarse de inmediato.	Luz roja constante	Habrà pitidos cada vez que se abra el grifo, recordándole que debe reemplazar el filtro.

b. Indicador de error

- Si el grifo se abre constantemente durante 2 horas, el sistema entrará en modo de protección y se apagará. Mientras tanto, el indicador de error parpadea en rojo y escuchará pitidos. Desenchufe el sistema, espere 1 minuto y vuelva a enchufarlo para solucionar el problema.
- Cuando se detecta una fuga, el indicador de error se iluminará constantemente en rojo y escuchará pitidos. El sistema entrará en modo de protección y se apagará. Consulte la solución de problemas para resolver el problema.

c. Descarga automática

- El sistema se descarga automáticamente cuando se enciende.
- El sistema se descarga automáticamente cuando ha estado filtrando agua de forma continua durante 5 minutos.
- El sistema se descarga automáticamente cuando no ha estado filtrando agua durante 72 horas.

d. Botón de descarga

Vd. Puede activar el sistema de descarga manualmente, pulsando el botón de descarga cuando el sistema este en modo espera.

Durante la descarga, pulse el botón de descarga de nuevo para detener el proceso.

e. Botón de restablecimiento

Para restablecer la vida útil del filtro, mantenga pulsado el botón de restablecimiento durante 5 segundos. Oirá un pitido y el indicador de la vida útil del filtro CP parpadeará en azul. Pulse brevemente el botón de restablecimiento nuevamente para seleccionar el filtro que debe restablecerse.

Cuando el indicador del filtro seleccionado parpadee, mantenga pulsado el botón de restablecimiento durante 3 segundos. Oirá un pitido y el indicador mostrará una luz azul constante. Esto significa que la vida útil del filtro se ha restablecido correctamente.

VI. Mantenimiento

1. Mantenimiento de rutina

- No se deben utilizar disolventes orgánicos como gasolina, etc. para limpiar la carcasa del dispositivo. Si es necesario limpiarlo, limpie suavemente la superficie del producto con un paño húmedo después de desconectarlo de la fuente de alimentación.
- Si el sistema no se usa durante más de 2 días, abra el grifo y deje correr el agua durante al menos 5 minutos para lavar los filtros y el sistema.
- Si el sistema no se va a utilizar durante un período prolongado, saque los cartuchos de filtro, séllelos con envoltorios de plástico y guárdelos en el frigorífico (no en el congelador). Apague la válvula de bola de tres vías, abra el grifo para vaciar el sistema y apague la energía. Antes de volver a usarlo, deje correr el agua durante al menos 10 minutos para limpiar los filtros y el sistema.

2. Vida útil del filtro

Nota

Para obtener el mejor rendimiento, cambie el cartucho de filtro de acuerdo con el indicador de vida útil del filtro o el ciclo de reemplazo del filtro que se sugiere a continuación. Cuando se observa un caudal significativamente menor, recomendamos cambiar también los filtros.

Este sistema solo puede funcionar con filtros Philips.

Código del modelo del sistema	AUT3015
Filtro, código de modelo y vida útil del filtro	Filtro CP, AUT706, 6-12 meses*
	Filtro de ósmosis inversa, AUT767, 24-36 meses*

* La vida útil real del cartucho de filtro depende de la calidad del agua del grifo local y del uso diario. El ciclo de sustitución recomendado es un promedio basado en la calidad del agua del grifo local diferente. Si la calidad del agua del grifo local está por debajo del promedio, la vida útil real del cartucho diferirá del ciclo de sustitución recomendado. Si el cartucho del filtro está bloqueado, reemplácelo.

3. Reemplazo del cartucho de filtro

- a. Apague el suministro eléctrico y de agua antes de reemplazar los cartuchos de filtro.
- b. Retire la cubierta delantera.
- c. Gire el filtro que necesita reemplazar en sentido contrario de las agujas de un reloj y extráigalo.
- d. Retire el embalaje del nuevo filtro e inserte el cartucho en el sistema. Gírelo en el sentido de las agujas del reloj para alinear el icono triangular del cartucho del filtro con el icono de candado del sistema.
- e. Conecte el suministro de agua y vuelva a conectar con la corriente. Si se ha sustituido el filtro RO, abra la palanca de agua correspondiente en el dispensador y permita que el agua corra durante 30 minutos. Si se sustituye el filtro CP, abra la palanca de agua correspondiente en el dispensador y deje correr el agua durante 10 minutos.
- f. Restablezca la vida útil del filtro según el capítulo V.

Nota:

En el proceso de reemplazo del filtro, si hay agua goteando del filtro, puede activar el detector de fugas cuando se vuelva a conectar con la energía. Asegúrese de que el detector de fugas y el suelo se sequen antes de volver a conectarse con la energía.

VII. Precauciones

1. Advertencia

- Este NO es un purificador de agua. Utilice siempre agua del grifo municipal como fuente de agua. No utilice agua microbiológicamente no segura o de calidad desconocida sin una desinfección adecuada antes o después del sistema.
- Este sistema no está diseñado para que lo utilicen personas (incluidos niños) con capacidades físicas, sensoriales o mentales reducidas, o con falta de experiencia y conocimiento, a menos que hayan recibido supervisión o instrucciones sobre el uso del aparato por una persona responsable de su seguridad. Los niños deben ser supervisados para asegurarse de que no jueguen con el sistema.

- Asegúrese de manipular el sistema suavemente y con cuidado. No intente modificar o reparar el sistema usted mismo; de lo contrario, la garantía dejará de ser válida.
- Este dispositivo está diseñado para uso doméstico únicamente.
- La temperatura del agua de entrada del sistema debe estar entre 5-38°C . Cuando la temperatura del agua de entrada supera los 38°C , el filtro podría dañarse y quedar inservible. Si la temperatura del agua de entrada es inferior a 5°C , puede provocar congelación y la rotura de partes del sistema, lo que provocaría una fuga de agua.
- No invierta el orden de instalación de los cartuchos de filtro para evitar afectar el rendimiento del filtro del sistema.
- Si el sistema es anormal o defectuoso, deje de usarlo inmediatamente. Cierre la válvula de entrada de agua y abra el grifo para vaciar el sistema. Los eventos de fallos incluyen:
 - Fuga
 - El producto está agrietado o dañado.
 - Se escucha un sonido anormal o un olor a quemado.
 - La máquina no funciona
 - Comuníquese con el servicio de atención al consumidor para una inspección de inmediato.
- Si no usa el sistema durante un período prolongado, corte el suministro de agua y abra el grifo para liberar la presión interna y evitar daños en el sistema.

VIII. Resolución de problemas

Problema	Causa posible	Solución
No sale agua del grifo.	La válvula de agua fría o la válvula de bola de tres vías está cerrada.	Abra las válvulas.
	El sistema no está conectado a la energía.	Compruebe si el adaptador de corriente está conectado al sistema y la toma de corriente correctamente.
El caudal se vuelve más lento.	El filtro está bloqueado.	Reemplace el filtro.
	La presión del agua de entrada es baja.	Espere hasta que la presión del agua de entrada se establezca o instale un dispositivo de aumento de presión antes del sistema si la presión del agua de entrada es constantemente inferior a 0,1 MPa.

Mala calidad del agua de salida.	El filtro ha llegado al final de su vida útil.	Reemplace el filtro.
	El sistema no se ha utilizado durante algún tiempo.	Abra el grifo y deje correr el agua durante 5 minutos.
	La calidad del agua de entrada es mala.	Utilice siempre agua del grifo municipal como fuente de agua. No utilice agua microbiológicamente no segura o de calidad desconocida sin una desinfección adecuada antes o después del sistema.
El indicador de error se ilumina en rojo y se escuchan pitidos.	Hay una fuga.	Compruebe si las tuberías y los filtros están conectados correctamente. Apague la fuente de alimentación. Limpie el detector de fugas y el suelo, y asegúrese de que estén secos. Vuelva a conectar con energía eléctrica.
	El detector de fugas es anormal.	Comuníquese con el servicio de atención al consumidor.
	El sistema ha estado filtrando agua continuamente durante 2 horas.	Desenchufe el sistema, espere 1 minuto y vuelva a enchufarlo para solucionar el problema.
	La placa PCB está dañada.	Comuníquese con el servicio de atención al consumidor.
Los indicadores de vida útil del filtro no se encienden cuando se abre el grifo.	El módulo electrónico está dañado.	Comuníquese con el servicio de atención al consumidor.
El botón de restablecimiento no funciona	No pulsó el botón el tiempo suficiente para activar el restablecimiento.	Mantenga pulsado el botón de restablecimiento durante 5 segundos.
El botón de descarga no funciona.	El módulo de botones está dañado.	Comuníquese con el servicio de atención al consumidor.
Los indicadores no se encienden.	El sistema no está conectado a la energía.	Compruebe si el adaptador de corriente está conectado al sistema y la toma de corriente correctamente.
	La placa de luz está dañada.	Comuníquese con el servicio de atención al consumidor.

IX. Garantía y servicio

Si necesita información o si tiene algún problema, visite www.philips.com o comuníquese con el centro de atención al consumidor de su país. Si no hay un centro de atención al consumidor en su país, vaya a un distribuidor local. En un plazo de dos años a partir de la fecha de compra, recibirá el servicio de garantía gratuito por cualquier daño causado por el proceso de fabricación o componentes en funcionamiento normal confirmados por nuestro servicio de mantenimiento. El servicio de garantía no incluye componentes consumibles reemplazados con frecuencia, dispositivos auxiliares, tarifas de transporte y servicio puerta a puerta. Muestre el comprobante de compra al personal de servicio durante el mantenimiento.

X. Lista de components

Sistema	1
Filtro CP	1
Filtro de ósmosis inversa	1
Adaptador de corriente con enchufe	1
Válvula de bola de tres vías	1
Tubería PE de 1/4"	1
Tubería PE de 3/8"	1
Grifería y accesorios	1
Manual de usuario	1
Detector de fugas	1
Connector de drenaje de agua	1

Contenu

I. Présentation du produit	34	VI. Entretien	45
II. Spécification du produit	34	Entretien de routine	45
III. Présentation du produit et illustration de l'installation	35	Durée de vie du filtre	45
IV. Installation	36	Remplacement de la cartouche de filtration	46
Installer le robinet à boisseau sphérique à trois voies	37	VII. Précautions	46
Installer la robinetterie	39	Avertissement	46
Installation du système	39	VIII. Diagnostic des défaillances	48
V. Mode d'emploi	43	IX. Garantie et service	49
Avant la première utilisation	43	X. Liste du colis	50
Interface de l'utilisateur	43		



Installation

I. Présentation du produit


Félicitations pour votre achat et bienvenue chez Philips ! Nos systèmes de filtration d'eau sous évier par osmose inverse (RO) sont dotés d'un débit de filtration élevé et d'un design sans réservoir garantissant que chaque goutte d'eau est fraîchement filtrée tout en économisant l'espace. La membrane à osmose inverse permet un niveau de filtration en profondeur, jusqu'à 0,0001 micron, ce qui élimine efficacement les virus, les bactéries, les métaux lourds, les pesticides, le calcaire, les composés organiques volatils, le chlore, etc., de sorte à vous proposer une eau au goût délicieux.* Lire attentivement le présent mode d'emploi avant d'utiliser le dispositif. Le conserver aux fins de référence future.

Remarque :

L'eau fournie par les systèmes à osmose inverse comprend une faible teneur minérale. Les sels minéraux nécessaires à l'organisme humain sont apportés par l'alimentation et, dans une moindre mesure, par l'eau que nous buvons.

* Les substances éliminées ou réduites par ce système ne se trouvent pas nécessairement dans l'eau de tous les utilisateurs.

II. Spécification du produit

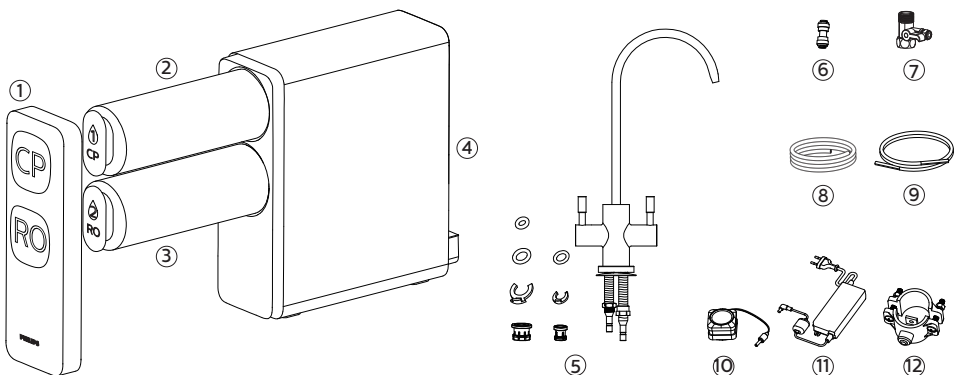
Nom du produit	Système de filtration d'eau sous évier par osmose inverse Philips
Modèle du produit	AUT3015
Débit d'eau filtrée	2 litres/minute
Débit d'eau filtrée RO	1,58 litres/minute
Capacité de filtration	Filtre CP : 6 000 litres Filtre RO : 11 000 litres
Pression d'admission d'eau	0,1 - 0,4 MPa**
Température d'admission d'eau	5°C-38°C
Tension nominale	24V 

Puissance nominale	90W
Admission d'eau maximale TDS	1500 ppm***
Dureté maximale de l'eau d'admission	25 °HF***
Source d'eau applicable	Eau du robinet répondant à l'ensemble des exigences de la Directive européenne sur l'eau pour la consommation humaine n° 98/83 et ses transpositions nationales dans les différents États membres de l'UE.

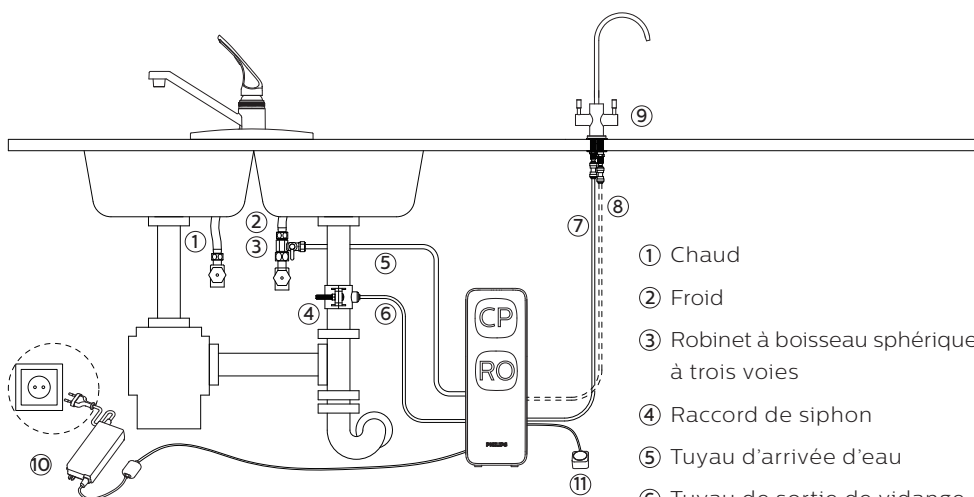
** Lorsque la pression d'admission d'eau dépasse 0,4 MPa, une soupape de surpression doit être installée en amont du système. Lorsque la pression d'admission d'eau est inférieure à 0,1 MPa, un dispositif de surpression doit être installé en amont du système. La soupape de surpression et le dispositif de surpression additionnels doivent être achetés séparément.

*** Si la salinité de l'eau d'admission dépasse 1500 ppm, ou la dureté dépasse 25 °HF, la durée de vie des filtres peut être impactée. Consulter son revendeur quant à l'installation de filtres supplémentaires en amont du système.

III. Présentation du produit et illustration de l'installation



- ① Capot
- ② Filtre à sédiments et à bloc de charbon 2-en-1 (CP)
- ③ Filtre à osmose inverse (RO)
- ④ Système
- ⑤ Robinetterie et accessoire
- ⑥ Raccord rapide
- ⑦ Robinet à boisseau sphérique à trois voies
- ⑧ Tuyau PE 1/4"
- ⑨ Tuyau PE 3/8"
- ⑩ Détecteur de fuite
- ⑪ Adaptateur secteur avec prise
- ⑫ Raccord de siphon



- ① Chaud
- ② Froid
- ③ Robinet à boisseau sphérique à trois voies
- ④ Raccord de siphon
- ⑤ Tuyau d'arrivée d'eau
- ⑥ Tuyau de sortie de vidange
- ⑦ Tuyau de sortie d'eau filtrée
- ⑧ Tuyau de sortie d'eau filtrée par RO
- ⑨ Robinetterie
- ⑩ Adaptateur secteur
- ⑪ Détecteur de fuite

IV. Installation

Remarque:

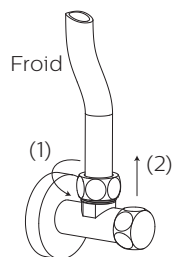
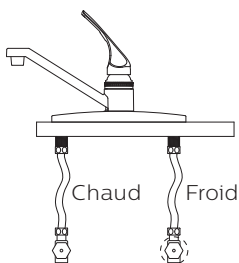
- Il est important avant l'installation de vérifier l'état du système pour s'assurer qu'il n'a pas été endommagé au cours du transport.

- Déballer le système et ses accessoires. Retirer le matériau d'emballage protecteur. Des matériaux recyclables ont été utilisés à cette fin et doivent être éliminés dans les bacs de recyclage dédiés ou collectés dans un centre de recyclage local spécifique. **Avvertissement : tenir les sacs en plastique hors de la portée des enfants, car ils peuvent être dangereux.**
- Vérifier la complétude de la liste du colis et l'aperçu.
- Étant donné que le système améliorera la qualité de votre eau potable, tous les outils utilisés dans le processus d'installation doivent être propres, démunis de rouille et de graisse.
- Le processus d'installation doit être réalisé dans des conditions d'hygiène adéquates, en prenant toutes les précautions requises relatives aux matériaux et aux composants qui entreront en contact avec l'eau à traiter ou de consommation.
- Éviter la contamination externe du système par une manipulation inappropriée, en utilisant des gants, du gel désinfectant et en lavant les mains aussi souvent que nécessaire au cours du processus d'installation, de la première utilisation et de l'entretien du système.
- Le système et l'installation doivent être conformes aux réglementations locales en vigueur.
- Le présent produit ne peut être jeté avec les autres déchets ménagers. En fin de durée de vie, le produit doit être retourné au lieu d'achat ou dans un centre de recyclage local, en indiquant qu'il contient des composants électriques et électroniques. La collecte et le traitement adéquats du produit ne devant plus être utilisé contribuent à la préservation des ressources naturelles et évitent tout risque potentiel en termes de santé publique.

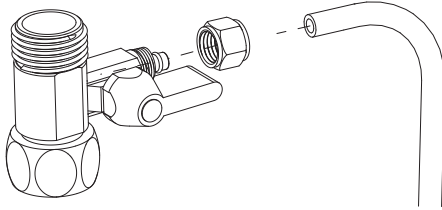


1. Installer le robinet à boisseau sphérique à trois voies.

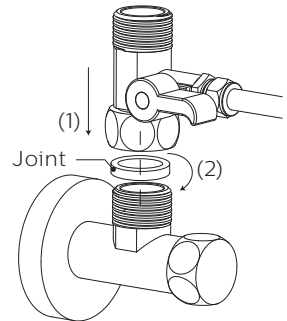
- Couper l'alimentation en eau froide. Ouvrir la robinetterie d'eau froide de la cuisine pour relâcher la pression et permettre à l'eau d'être évacuée de la conduite. Déconnecter le tuyau d'eau froide du robinet d'eau froide.



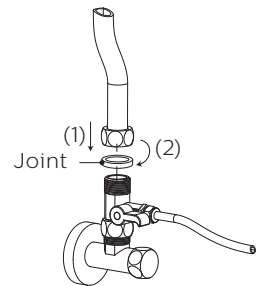
b. Faire glisser l'écrou du robinet à boisseau sphérique à trois voies sur le tuyau PE 3/8" et insérer le tuyau dans l'ouverture du robinet à boisseau sphérique à trois voies. Serrer l'écrou avec une clé.



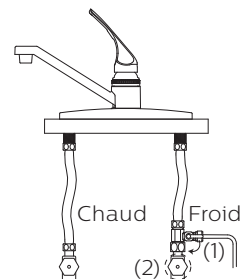
c. Installer le robinet à boisseau sphérique à trois voies sur le robinet d'eau froide. Ne pas oublier le joint situé à l'intérieur du robinet à boisseau sphérique à trois voies au cours du montage.



d. Connecter le tuyau d'eau froide au robinet à boisseau sphérique à trois voies et le visser fermement avec une clé. Ne pas oublier le joint situé à l'intérieur du tuyau d'eau froide au cours du montage.



e. Fermer le robinet à boisseau sphérique à trois voies. Ouvrir l'alimentation en eau froide. Essayer les raccords avec un mouchoir pour localiser la présence d'éventuelles fuites. Si le tissu reste sec, cela signifie que le robinet à boisseau sphérique à trois voies est installé de manière appropriée.

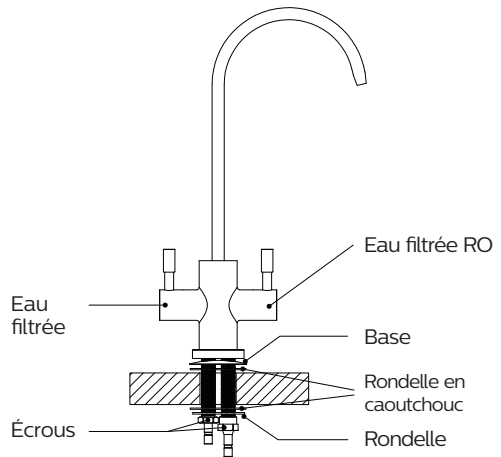


2. Installer la robinetterie.

Remarque:

Sélectionner une position de montage adéquate. L'environnement dans lequel la robinetterie est installée doit respecter toutes les conditions d'hygiène et d'assainissement requises. S'assurer que la robinetterie repose à plat sur le dessus de l'évier ou du plan de travail.

- a. Percer un orifice d'un diamètre d'environ 29 mm. Passer cette étape s'il y a déjà un orifice dans l'évier ou le plan de travail.
- b. Installer la robinetterie conformément au schéma. Visser les écrous de la tige de robinetterie jusqu'en haut de la tige et serrer pour sécuriser la robinetterie avec une clé dédiée 14 mm.



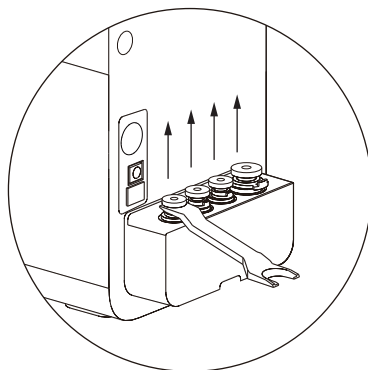
3. Installation du système

Remarque:

Vérifier s'il y a suffisamment d'espace pour installer le système en lui-même, ses accessoires, les raccords et pour l'entretien et la réparation. Le système ne doit en aucun cas être installé en extérieur. L'environnement dans lequel le système est installé doit respecter toutes les conditions d'hygiène et d'assainissement requises. Éviter tout écoulement externe de liquides sur le système, issus de tuyaux ou de vidanges, etc.

Ce système doit être placé sur une surface stable et plane. Tenir le système à l'écart de la chaleur. Il ne doit pas être placé dans un endroit pouvant présenter des fuites de gaz inflammables.

- a. Appuyer sur les douilles de serrage et retirer les bouchons des orifices d'admission et de sortie d'eau à l'arrière du système.

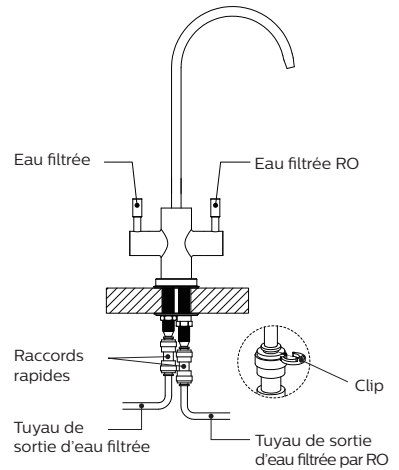


- b. Connecter l'admission d'eau et le robinet à boisseau sphérique à trois voies. Mesurer la longueur du tuyau 3/8" requise pour raccorder le système et le robinet à boisseau sphérique à trois voies, et le couper en conséquence avec un dispositif dédié. Insérer l'autre extrémité du tuyau 3/8" raccordé au robinet à boisseau sphérique à trois voies dans l'ouverture d'admission d'eau à l'arrière du système. Utiliser un clip pour sécuriser le tuyau au niveau de l'orifice.

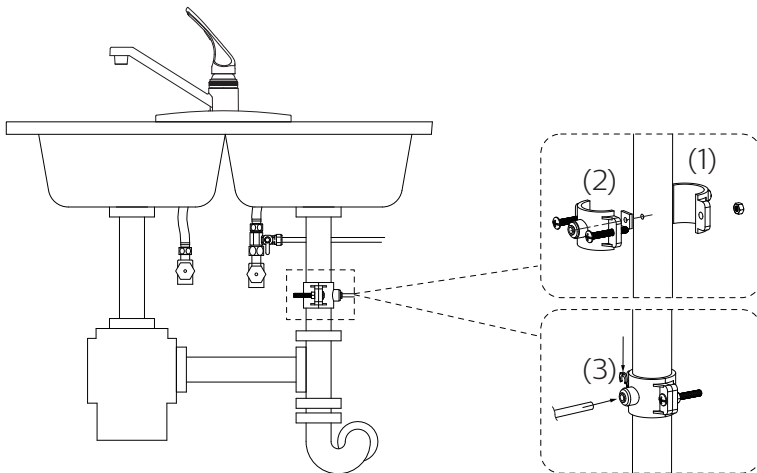
Remarque: la pression de l'eau d'admission doit être comprise entre 0,1 et 0,4 MPa. Si la pression est trop basse, un dispositif de surpression doit être installé en amont du système. Si la pression est trop élevée, une soupape de surpression doit être installée en amont du système. La soupape de surpression et le dispositif de surpression additionnels doivent être achetés séparément.

- c. Raccorder les sorties d'eau et la robinetterie. Après avoir mesuré la longueur requise du tuyau 1/4" pour connecter le système et la robinetterie, couper le tuyau 1/4" avec un dispositif dédié. Insérer une extrémité du tuyau dans le raccord rapide et connecter ce dernier sur la tige plus longue de la robinetterie. Insérer l'autre extrémité du tuyau 1/4" dans l'orifice de sortie d'eau filtrée par RO à l'arrière du système jusqu'à son blocage. Utiliser un clip pour sécuriser le tuyau au niveau de l'orifice.

Couper un autre tuyau 1/4" avec un dispositif dédié. Insérer une extrémité du tuyau dans le raccord rapide et connecter ce dernier sur la tige plus courte de la robinetterie. Insérer l'autre extrémité du tuyau 1/4" dans l'orifice de sortie d'eau filtrée à l'arrière du système jusqu'à son blocage. Utiliser un clip pour sécuriser le tuyau au niveau de l'orifice.



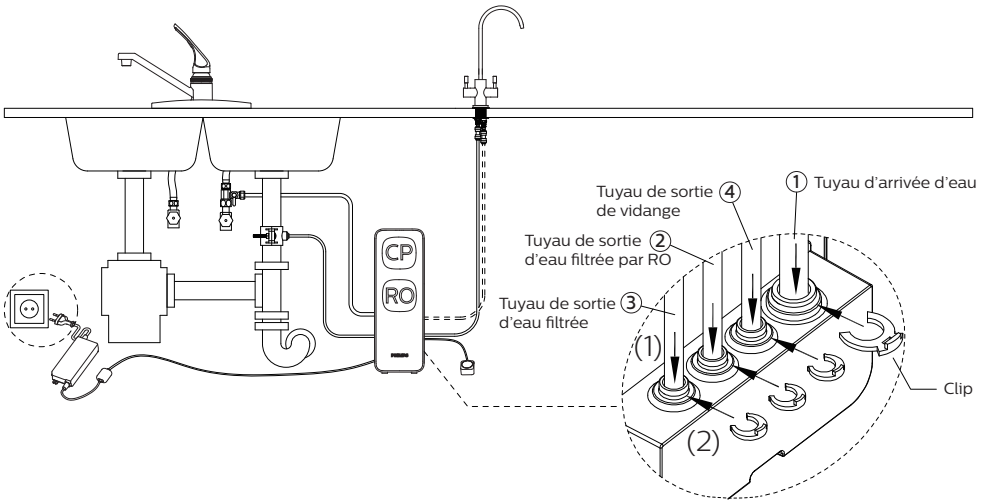
d. Assemblez le tuyau d'évacuation d'eau et le raccord de siphon
 Repérez où se trouve le tuyau d'évacuation des eaux usées. Percez un trou de 6.5 mm sur ce dernier. Installez le raccord de siphon en vous référant à l'illustration. Serrez correctement les écrous. Coupez un morceau de tube 1/4". Insérez une extrémité de ce tube dans le trou du tuyau d'évacuation à l'arrière du système jusqu'à ce qu'il soit stoppé. Utilisez un clip pour maintenir le tube au niveau du trou. Insérez l'autre extrémité du tube dans le raccord de siphon.



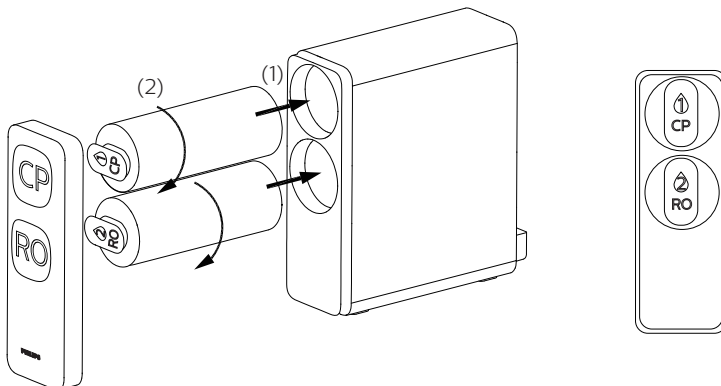
Remarque:

- N'installez pas le raccord de siphon sur le tuyau d'évacuation servant au broyeur.
- Veillez à ne pas percer pas la paroi du tuyau côté opposé lorsque vous réalisez le trou.

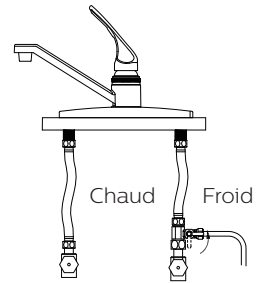
- e. Raccorder le détecteur de fuite et l'adaptateur secteur au système.
NE PAS BRANCHER la fiche maintenant.



- f. Placer le système dans l'emplacement dédié sous l'évier et placer le détecteur de fuite à côté du système sur le sol sec.
- g. Retirer le film plastique des cartouches de filtration. Insérer les cartouches de filtration dans le système de manière conforme et les tourner dans le sens horaire de sorte à aligner l'icône du triangle de la cartouche de filtration avec l'icône de verrouillage du système.



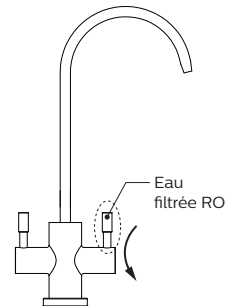
- h. Vérifier si le système est correctement installé et ouvrir le robinet à boisseau sphérique à trois voies.



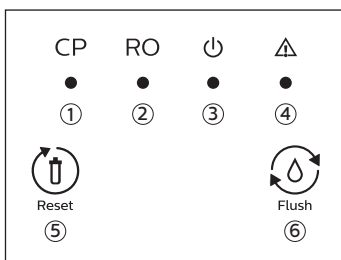
V. Mode d'emploi

1. Avant la première utilisation

- a. Brancher le système sur le réseau. Un bip est émis et tous les voyants s'allument pendant 3 secondes. Le rinçage du système sera automatiquement activé. Essuyer tous les joints et raccords avec un mouchoir pour vérifier l'absence de fuites. Si le tissu reste sec, cela signifie que le système est installé de manière appropriée. Une fois le rinçage automatique réalisé, le système non sollicité passera en mode Veille et les voyants s'éteindront.
- b. Une fois la vidange automatique terminée, ouvrez la commande d'eau filtrée RO du robinet pour laisser l'eau couler pendant 30 minutes, afin de chasser l'air et les particules de charbon à travers les filtres. Le système sera alors prêt et l'eau ltrée pourra être consommée.



2. Interface de l'utilisateur



- ① Voyant de durée de vie du filtre CP
- ② Voyant de durée de vie du filtre RO
- ③ Voyant d'alimentation
- ④ Voyant d'erreur
- ⑤ Touche de réinitialisation
- ⑥ Touche de rinçage

Lorsque la robinetterie est ouverte, tous les voyants s'allument pour indiquer la durée de vie du filtre et le statut de l'alimentation, le voyant d'erreur restant éteint sauf en cas d'erreur.

a. Voyant de durée de vie du filtre

Statut	Voyant	Alerte sonore
Plus de 14 jours	Lumière bleue permanente	N/A
Moins de 14 jours	Lumière rouge clignotante	Des bips seront émis chaque fois que la robinetterie sera ouverte pour rappeler de remplacer le filtre.
The filter has reached the end of life and should be replaced immediately	Lumière rouge permanente	Des bips seront émis chaque fois que la robinetterie sera ouverte pour rappeler de remplacer le filtre.

b. Voyant d'erreur

- Si la robinetterie est constamment ouverte pendant 2 heures, le système passera en mode Protection et s'arrêtera. Pendant ce temps, le voyant d'erreur clignotera en rouge et des bips seront émis. Débrancher le système, attendre 1 minute et rebrancher pour résoudre le problème.
- Lorsqu'une fuite est détectée, le voyant d'erreur s'allumera en permanence en rouge et des bips seront émis. Le système passera en mode Protection et s'arrêtera. Se référer au Diagnostic des défaillances pour résoudre le problème.

c. Rinçage automatique

- Le système rince automatiquement une fois mis sous tension.
- Le système rince automatiquement lorsqu'il filtre de l'eau en continu pendant 5 minutes.
- Le système rince automatiquement lorsqu'il n'a pas filtré d'eau pendant 72 heures.

d. Touche de rinçage

Le système peut réaliser un rinçage manuel en appuyant sur la touche dédiée lorsque le système est en mode Veille. Pendant le rinçage, appuyer à nouveau sur la touche dédiée pour l'arrêter.

e. Touche de réinitialisation

Pour réinitialiser la durée de vie du filtre, appuyer longuement sur la touche de réinitialisation pendant 5 secondes. Un bip sera émis et le voyant de durée de vie du filtre CP clignotera en bleu. Appuyer à nouveau brièvement sur la touche de réinitialisation pour sélectionner le filtre devant être réinitialisé.

Lorsque le voyant du filtre sélectionné clignote, appuyer longuement sur la touche de réinitialisation pendant 3 secondes. Un bip sera émis et le voyant affichera une lumière bleue permanente. Cela signifie que la durée de vie du filtre a été réinitialisée avec succès.

VI. Entretien

1. Entretien de routine

- Les solvants organiques tels que l'essence, etc. ne doivent pas être utilisés pour essuyer le boîtier du dispositif. En cas de nécessité de nettoyage, essuyer doucement la surface du produit avec un chiffon humide après avoir débranché l'alimentation électrique.
- Si le système n'est pas utilisé pendant plus de 2 jours, ouvrir la robinetterie et laisser couler l'eau pendant au minimum 5 minutes de sorte à rincer les filtres et le système.
- Si le système n'est pas utilisé pendant une période prolongée, retirer les cartouches de filtration, les sceller avec un film plastique et les conserver au réfrigérateur (pas au congélateur). Fermer le robinet à boisseau sphérique à trois voies, ouvrir la robinetterie pour vider le système et couper l'alimentation. Avant l'utilisation suivante, laisser couler l'eau pendant au moins 10 minutes pour rincer les filtres et le système.

2. Durée de vie du filtre

Remarque

Pour de meilleures performances, changer la cartouche de filtration en fonction de l'indicateur de durée de vie du filtre ou du cycle de remplacement du filtre suggéré ci-dessous. En cas de baisse flagrante du débit, nous recommandons de changer également les filtres.

Ce système ne peut fonctionner qu'avec des filtres Philips.

Code du modèle du système	AUT3015
Filtre, code de modèle et durée de vie du filtre	Filtre CP, AUT706, 6-12 mois*
	Filtre RO, AUT767 24-36 mois*

* La durée de vie réelle de la cartouche de filtration dépend de la qualité locale de l'eau du robinet et de l'utilisation quotidienne. Le cycle de remplacement recommandé est une moyenne basée sur des qualités d'eau du robinet différentes. Si la qualité locale de l'eau du robinet est inférieure à la moyenne, la durée de vie réelle de la cartouche sera différente de celle du cycle de remplacement recommandé. Si la cartouche de filtration est bloquée, la remplacer.

3. Remplacement de la cartouche de filtration

- a. Couper l'alimentation électrique et en eau avant de remplacer les cartouches de filtration.
- b. Retirer le capot en façade.
- c. Tourner dans le sens antihoraire le filtre devant être remplacé et le sortir.
- d. Retirer l'emballage du nouveau filtre et insérer la cartouche dans le système. Tourner dans le sens horaire de sorte à aligner l'icône du triangle de la cartouche de filtration avec l'icône de verrouillage du système.
- e. Ouvrez l'arrivée d'eau et reconnectez l'alimentation électrique. Si le filtre RO est remplacé, ouvrez la commande d'eau filtrée RO du robinet et laissez l'eau couler pendant 30 minutes. Si le filtre CP est remplacé, ouvrez la commande d'eau filtrée du robinet et laissez l'eau couler pendant 10 minutes.
- f. Réinitialiser la durée de vie du filtre conformément au chapitre V.

Remarque:

Lors du remplacement du filtre, s'il y a de l'eau qui s'égoutte du filtre, cela peut déclencher le détecteur de fuite une fois la reconnexion à l'alimentation relancée. S'assurer que le détecteur de fuite et le sol sont essuyés avant de se reconnecter au secteur.

VII. Précautions

1. Avertissement

- CE N'EST PAS un purificateur d'eau. Toujours utiliser l'eau du robinet comme source d'eau. Ne pas utiliser d'eau dangereuse d'un point de vue microbiologique ou de qualité inconnue sans une désinfection adéquate en amont ou en aval du système.
- Le présent système ne doit pas être utilisé par des personnes (y compris des enfants) dont les capacités physiques, sensorielles ou intellectuelles sont réduites ou des personnes manquant d'expérience et de connaissances, à moins d'être sous surveillance ou d'avoir reçu des instructions par l'individu responsable de leur

- sécurité. Les enfants doivent être surveillés pour s'assurer qu'ils ne jouent pas avec le système.
- Manipuler le système avec douceur et précaution. Ne pas essayer de modifier ou de réparer le système soi-même, faute de quoi la garantie sera annulée.
 - Le présent dispositif est destiné à un usage domestique uniquement.
 - La température de l'eau d'admission du système doit être comprise entre 5 et 38 °C. Lorsque la température de l'eau d'admission dépasse 38 °C, le filtre peut être endommagé et rendu inutilisable. Si la température de l'eau d'admission est inférieure à 5 °C, cela peut provoquer le gel et la rupture des éléments du système, entraînant des fuites d'eau.
 - Ne pas inverser l'ordre d'installation des cartouches de filtration pour éviter d'impacter les performances de filtration du système.
 - Si le système est anormal ou défectueux, cesser immédiatement de l'utiliser. Fermer le robinet d'arrivée d'eau et ouvrir la robinetterie pour vider le système. Les défaillances comprennent les éléments suivants :
 - Fuite
 - Le produit est fissuré ou endommagé.
 - Il y a un son anormal ou une odeur de brûlé.
 - La machine ne fonctionne pas.
 - Contactez immédiatement le service client aux fins d'inspection.
 - Si le système n'est pas utilisé pendant une période prolongée, fermer l'alimentation en eau et ouvrir la robinetterie pour relâcher la pression interne de sorte à ne pas endommager le système.

VIII. Diagnostic des défaillances

Problème	Cause possible	Solution
Aucune eau ne sort de la robinetterie.	L'alimentation en eau froide ou le robinet à boisseau sphérique à trois voies sont fermés.	Les ouvrir.
	Le système n'est pas connecté au secteur.	Vérifier si l'adaptateur secteur est correctement connecté au système et à la prise de courant.
Le débit baisse.	Le filtre est bloqué.	Remplacer le filtre.
	La pression d'admission d'eau est faible.	Attendre que la pression d'admission d'eau se stabilise ou installer un dispositif de surpression en amont du système si la pression d'admission d'eau est constamment inférieure à 0,1 MPa.
Mauvaise qualité de l'eau de sortie.	Le filtre est en fin de durée de vie.	Remplacer le filtre.
	Le système n'a pas été utilisé depuis un certain temps.	Ouvrir la robinetterie et laisser couler l'eau pendant 5 minutes.
	La qualité de l'eau d'admission est mauvaise.	Toujours utiliser l'eau du robinet comme source d'eau. Ne pas utiliser d'eau dangereuse d'un point de vue microbiologique ou de qualité inconnue sans une désinfection adéquate en amont ou en aval du système.
Le voyant d'erreur s'allume en rouge et des bips sont émis.	Il y a une fuite.	Vérifier si les tuyaux et les filtres sont correctement connectés. Couper l'alimentation au secteur. Essuyer le détecteur de fuite et le sol et s'assurer qu'ils sont secs. Se reconnecter sur le secteur.
	Le détecteur de fuite est anormal.	Contactez le service client.
	Le système a filtré l'eau en continu pendant 2 heures.	Débrancher le système, attendre 1 minute et rebrancher pour résoudre le problème.
	Le circuit PCB est endommagé.	Contactez le service client.

Les voyants de durée de vie du filtre ne s'allument pas lorsque la robinetterie est ouverte.	Le module électronique est endommagé.	Contactez le service client.
La touche de réinitialisation ne fonctionne pas.	La touche n'a pas été enclenchée assez longtemps pour déclencher la réinitialisation.	Appuyez longuement sur la touche de réinitialisation pendant 5 secondes.
La touche de rinçage ne fonctionne pas.	Le module des touches est endommagé.	Contactez le service client.
Les voyants ne s'allument pas.	Le système n'est pas connecté au secteur.	Vérifiez si l'adaptateur secteur est correctement connecté au système et à la prise de courant.
	Le circuit lumineux est endommagé.	Contactez le service client.

IX. Garantie et service

Si vous avez besoin d'informations ou si vous rencontrez des problèmes, veuillez-vous rendre sur www.philips.com ou contacter le service client de votre pays. S'il n'y a pas de centre d'assistance aux consommateurs dans votre pays, adressez-vous à un revendeur local. Dans les deux ans à compter de la date d'achat, vous bénéficierez d'un service de garantie gratuit pour tout dommage confirmé par notre service de maintenance, issu de la fabrication ou de l'utilisation normale des composants. Le service de garantie n'inclut pas les consommables fréquemment remplacés, les dispositifs auxiliaires, les frais de transport et le service de porte-à-porte. Veuillez fournir la preuve d'achat au personnel de service au cours de l'entretien.

X. Liste du colis

Système	1X
Filtre CP	1X
Filtre RO	1X
Adaptateur secteur avec prise	1X
Robinet à boisseau sphérique à trois voies	1X
Tuyau PE 1/4"	1X
Tuyau PE 3/8"	1X
Robinetterie et accessoire	1X
Mode d'emploi	1X
Détecteur de fuite	1X
Raccord de siphon	1X

Indice

I. Introduzione prodotto	52
--------------------------	----

II. Specifica del prodotto	52
----------------------------	----

III. Panoramica del prodotto e illustrazioni per l'installazione	53
---	----

IV. Installazione	55
Installare la valvola a sfera a tre vie	56
Installare il rubinetto	57
Installazione dell'impianto	58

V. Istruzioni per l'uso	61
Prima del primo utilizzo	61
Interfaccia utente	61

VI. Manutenzione	63
Manutenzione ordinaria	63
Vita utile filtro	63
Sostituzione della cartuccia del filtro.	63

VII. Precauzioni	64
Attenzione	64

VIII. Risoluzione dei problemi	65
--------------------------------	----

IX. Garanzia e assistenza	67
---------------------------	----

X. Lista d'imballaggio	67
------------------------	----



Installazione

I. Introduzione prodotto

Complimenti per l'acquisto e benvenuti nel mondo Philips! I nostri sistemi di filtraggio a osmosi inversa sotto il lavandino sono caratterizzati da un'alta velocità di flusso nel filtraggio e da un design senza serbatoio, permettendo di filtrare perfettamente ogni goccia d'acqua e al tempo stesso di risparmiare spazio. La membrana a osmosi inversa assicura un livello di filtraggio profondo fino a 0,0001 micron, con efficace rimozione di virus, batteri, metalli pesanti, pesticidi, durezza dell'acqua, composti organici volatili, cloro e molto altro. L'acqua sarà pura e deliziosa.*

Prima di utilizzare il dispositivo si prega di leggere attentamente il presente manuale utente. Conservarlo per consultazioni future.

Nota:

L'acqua fornita dagli impianti a osmosi inversa ha un basso contenuto di minerali. I sali minerali richiesti dal corpo umano sono forniti dall'alimentazione e, solo in parte minore, dall'acqua che beviamo.

* Non è detto che le sostanze eliminate o ridotte dal sistema siano sempre necessariamente presenti in tutti i tipi di acqua utilizzati dagli utenti.

II. Specifica del prodotto

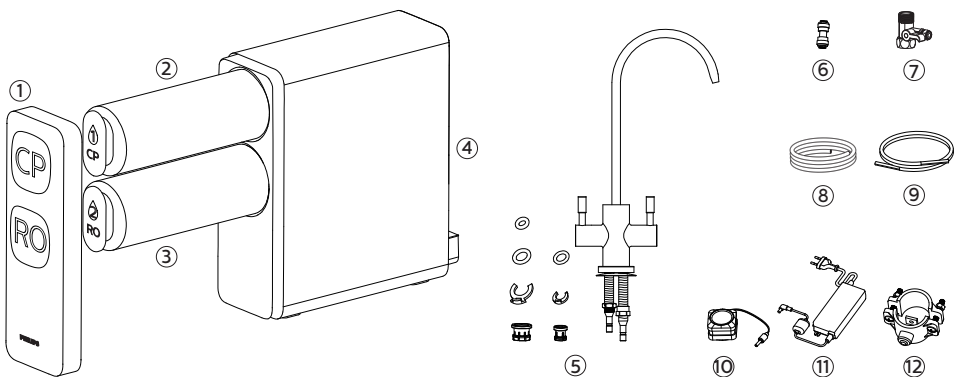
Nome prodotto	Impianto Philips di filtraggio acqua a osmosi inversa, da installare sotto il lavandino
Modello prodotto	AUT3015
Velocità di flusso acqua filtrata	2 litri/minuto
Velocità di flusso acqua filtrata (RO)	1,58 litri/minuto
Capacità di filtraggio	Filtro CP: 6.000 litri Filtro RO: 11.000 litri
Pressione acqua in ingresso	0,1-0,4 MPa**
Temperatura acqua in ingresso	5°C-38°C
Tensione nominale	24V 

Potenza nominale	90W
Livello massimo di solidi disciolti totali nell'acqua in ingresso	1500 ppm***
Livello massimo di durezza dell'acqua in ingresso	25 °HF***
Risorsa idrica applicabile	Acqua comunale di rubinetto conforme alla direttiva europea 98/83 concernente la qualità delle acque destinate al consumo e rispettivi recepimenti a livello nazionale nei paesi membri UE.

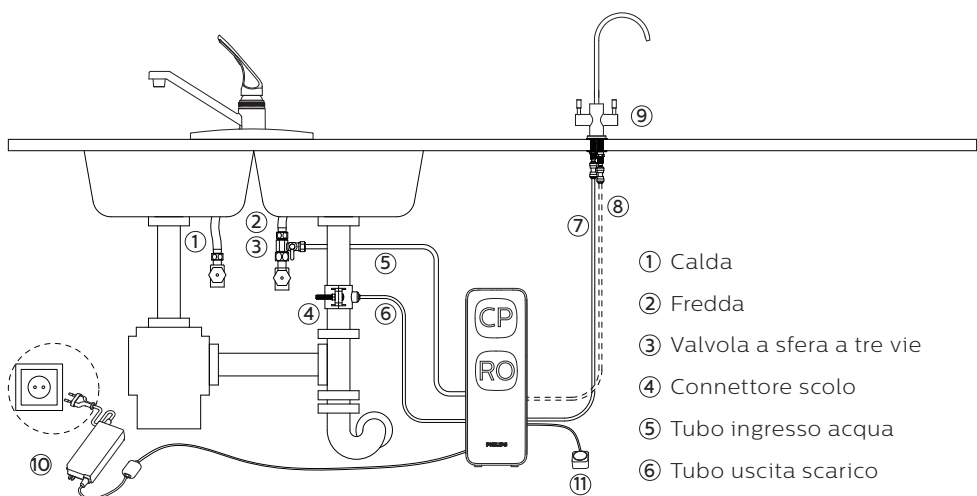
** Quando la pressione dell'acqua in ingresso è superiore a 0,4 MPa, è necessario installare una valvola di rilascio della pressione a monte dell'impianto. Quando la pressione dell'acqua in ingresso è superiore a 0,1 MPa, è necessario installare una valvola di rilascio della pressione a monte dell'impianto. La valvola di rilascio della pressione e il moltiplicatore di pressione vanno acquistati a parte.

*** Se la salinità dell'acqua in ingresso supera 1.500 ppm o la durezza è superiore a 25 °HF, la vita utile dei filtri potrebbe essere influenzata. Si prega di consultare il proprio rivenditore circa l'installazione di pre-filtri a monte dell'impianto.

III. Panoramica del prodotto e illustrazioni per l'installazione



- ① Coperchio
- ② Filtro sedimenti e blocco carbone 2 in 1 (CP)
- ③ Filtro a osmosi inversa (RO)
- ④ Impianto
- ⑤ Rubinetto e accessori
- ⑥ Raccordo con connessione rapida
- ⑦ Valvola a sfera a tre vie
- ⑧ Tubo 1/4" PE
- ⑨ Tubo 3/8" PE
- ⑩ Rilevatore di perdite
- ⑪ Adattatore alimentazione con presa
- ⑫ Connettore scolo



- ① Calda
- ② Fredda
- ③ Valvola a sfera a tre vie
- ④ Connettore scolo
- ⑤ Tubo ingresso acqua
- ⑥ Tubo uscita scarico
- ⑦ Tubo uscita acqua filtrata
- ⑧ Tubo uscita acqua filtrata (RO)
- ⑨ Rubinetto
- ⑩ Adattatore alimentazione
- ⑪ Rilevatore di perdite

IV. Installazione

Nota:

- Prima dell'installazione è importante verificare le condizioni dell'impianto e assicurarsi che non si siano verificati danni durante il trasporto.
- Disimballare l'impianto e i suoi accessori. Rimuovere il materiale d'imballaggio protettivo. Per l'imballaggio sono stati utilizzati materiali riciclabili, che dovranno essere gettati negli appositi contenitori per la raccolta differenziata oppure consegnati al locale centro di raccolta rifiuti.

Attenzione: Tenere le buste di plastica lontano dalla portata dei bambini, poiché potrebbero rivelarsi pericolose.

- Verificare che siano presenti tutti gli elementi secondo la lista d'imballaggio e la panoramica.
- Dal momento che l'impianto è destinato a migliorare la qualità dell'acqua potabile, tutti gli strumenti usati in fase d'installazione devono essere puliti e privi di ruggine o grasso.
- Il processo d'installazione deve essere realizzato in condizioni igieniche adeguate, prendendo tutte le necessarie precauzioni in termini di materiali e componenti a contatto con l'acqua da trattare o da consumare.

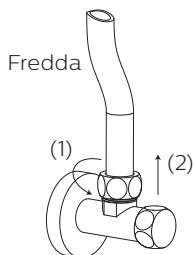
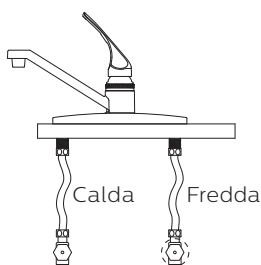
Evitare contaminazioni esterne dell'impianto dovute a manipolazione impropria. Usare guanti o gel disinfettante e lavarsi le mani ogniqualvolta sia necessario durante il processo d'installazione, al primo impiego e in fase di manutenzione dell'impianto.

- L'impianto e l'installazione devono essere conformi ai regolamenti locali applicabili.
- Il prodotto non può essere smaltito insieme ad altri prodotti classificati come rifiuti domestici. Al termine della vita utile sarà necessario restituire il prodotto al punto vendita dove è stato acquistato o consegnarlo al locale centro di raccolta rifiuti, indicando che esso contiene componenti elettrici ed elettronici. La raccolta e il trattamento appropriati del prodotto non più utilizzabile contribuiscono alla salvaguardia delle risorse naturali ed evitano ogni rischio potenziale per la salute pubblica.

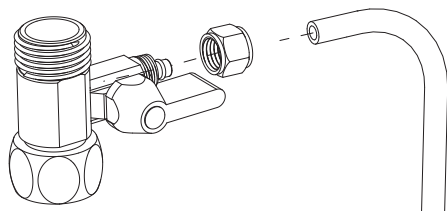


1. Installare la valvola a sfera a tre vie

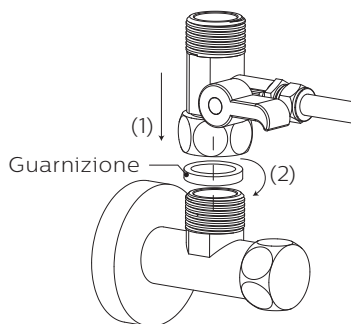
- a. Chiudere l'afflusso di acqua fredda. Aprire il rubinetto dell'acqua fredda della cucina per rilasciare la pressione e consentire il drenaggio dell'acqua dalla linea. Scollegare il tubo flessibile dell'acqua fredda dalla valvola dell'acqua fredda.



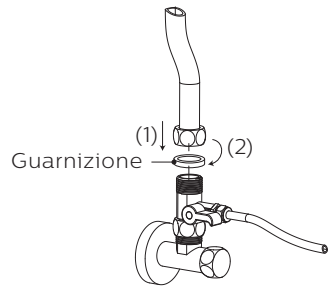
- b. Far scorrere il dado della valvola a sfera a tre vie nel tubo 3/8" PE; e inserire il tubo nell'apertura della valvola a sfera a tre vie. Serrare il dado con una chiave.



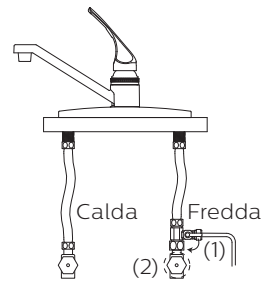
- c. Installare la valvola a sfera a tre vie sulla valvola dell'acqua fredda. Non dimenticare di inserire la guarnizione nella valvola a sfera a tre vie durante l'installazione.



d. Connettere il tubo dell'acqua fredda con la valvola a sfera a tre vie e avvitare serrando con una chiave. Non dimenticare la guarnizione nel tubo dell'acqua fredda durante l'installazione.



e. Spegnerla valvola a sfera a tre vie. Aprire l'afflusso di acqua fredda. Strofinare ed asciugare le connessioni con un panno per verificare l'eventuale presenza di perdite. Se il panno resta asciutto, vorrà dire che la valvola a sfera a tre vie è stata installata correttamente.

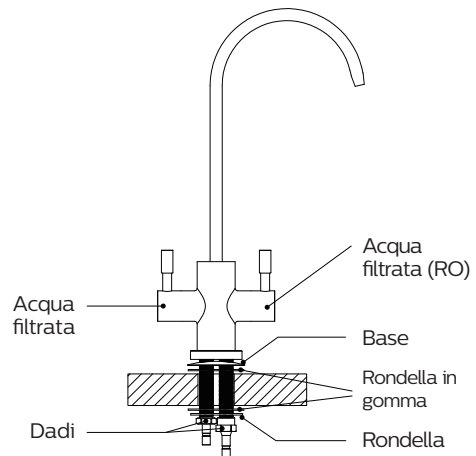


2. Installare il rubinetto

Nota:

Selezionare una posizione d'installazione adeguata. L'ambiente dove è installato il rubinetto deve essere conforme a tutte le condizioni di igiene e sanità previste. Assicurarsi che il rubinetto sia ben allineato nella parte alta del lavandino o sulla superficie del piano di lavoro.

- a. Eseguire un foro di diametro 29 mm circa. Ignorare questo passaggio qualora sia già presente un foro nel lavandino o sulla superficie del piano di lavoro.
- b. Installare il rubinetto secondo lo schema. Avvitare i dadi dello stelo del rubinetto fino al massimo e serrare bene, per proteggere il rubinetto, on l'ausilio di una chiave a tubo da 14 mm.



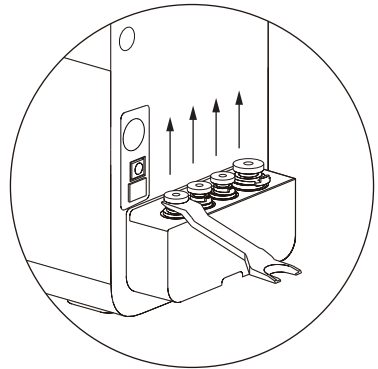
3. Installazione dell'impianto

Nota:

Verificare che vi sia spazio a sufficienza per l'installazione dell'impianto stesso, dei suoi accessori e connessioni, e per le operazioni di assistenza e riparazione. L'impianto non va mai installato in ambienti esterni. L'ambiente dove è installato il rubinetto deve essere conforme a tutte le condizioni di igiene e sanità previste ed applicabili. Evitare infiltrazioni esterne di liquidi da tubi, scarichi, ecc. nell'impianto.

L'impianto va posizionato su una superficie stabile e piana. Tenere l'impianto al riparo dal calore. L'impianto non va mai posizionato in zone a rischio di fughe di gas infiammabili.

- a. Premere i valletti e rimuovere ed estrarre le prese dai fori ingresso e uscita acqua sul retro dell'impianto.



- b. Connettere l'attacco dell'ingresso dell'acqua e la valvola a sfera a tre vie. Misurare la lunghezza del tubo 3/8" da connettere all'impianto e alla valvola a sfera a tre vie. Se necessario, tagliare il tubo con un'apposita taglierina. A questo punto l'altra estremità del tubo 3/8" collegato alla valvola a sfera a tre vie va inserita nel foro ingresso acqua sul retro dell'impianto. Servirsi di un fermo per fissare e proteggere il tubo inserito nel foro.

Nota: la pressione dell'acqua in entrata deve essere compresa nel range 0,1 - 0,4 MPa.

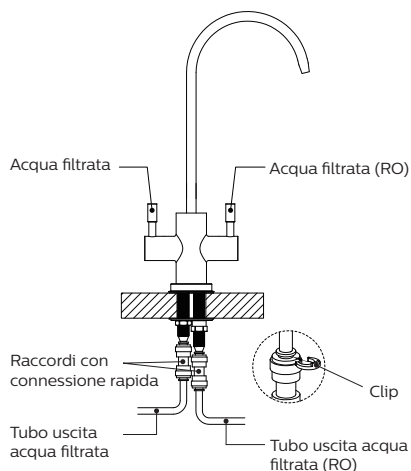
Se la pressione dell'acqua in ingresso è troppo bassa, è necessario installare un moltiplicatore di pressione a monte dell'impianto. Se la pressione dell'acqua in ingresso è troppo alta, è necessario installare una valvola di rilascio della pressione a monte dell'impianto. La valvola di rilascio della pressione e il moltiplicatore di pressione vanno acquistati a parte.

- c. Connettere le uscite acqua e il rubinetto

Dopo aver misurato la lunghezza del tubo 1/4", è necessario connettere l'impianto

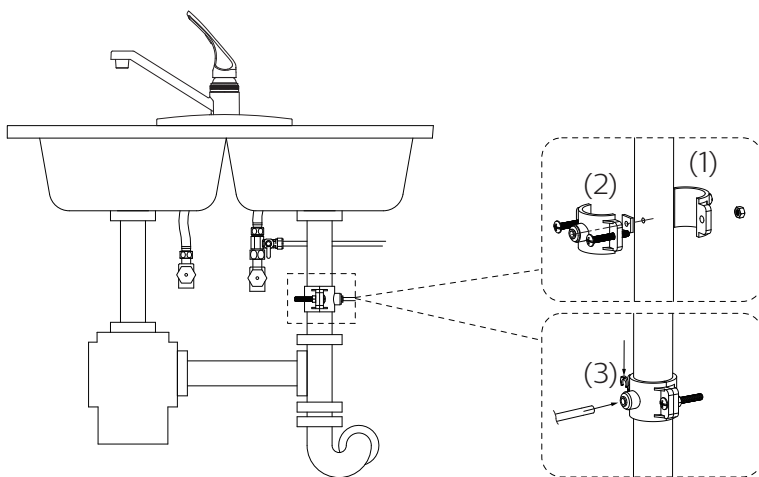
e la valvola a sfera a tre vie. Se necessario, tagliare il tubo 1/4" con un'apposita taglierina. Inserire un'estremità del tubo nel raccordo a connessione rapida. Connettere il raccordo a connessione rapida sullo stelo lungo del rubinetto. Inserire a battuta l'altra estremità del tubo 1/4" nel foro uscita acqua filtrata con osmosi inversa, sul retro dell'impianto. Servirsi di un fermo per fissare il tubo nel foro.

Tagliare un altro tubo 1/4" con la taglierina. Inserire un'estremità del tubo nel raccordo a connessione rapida. Connettere il raccordo a connessione rapida sullo stelo corto del rubinetto. Inserire a battuta l'altra estremità del tubo 1/4" nel foro uscita acqua filtrata, sul retro dell'impianto. Servirsi di un fermo per fissare il tubo nel foro.



d. Connettere l'uscita acqua di scolo e l'apposito connettore

Identificare la posizione dell'uscita di scolo. Realizzare un foro di 6 mm sul tubo di scarico. Installare il connettore secondo lo schema. Serrare bene i dadi. Tagliare una sezione di tubo da 1/4". Inserire a battuta un'estremità del tubo nel foro realizzato nella parte posteriore dell'impianto. Servirsi di un fermo per fissare il tubo nel punto del foro. Inserire l'altra estremità del tubo nel connettore di scolo.

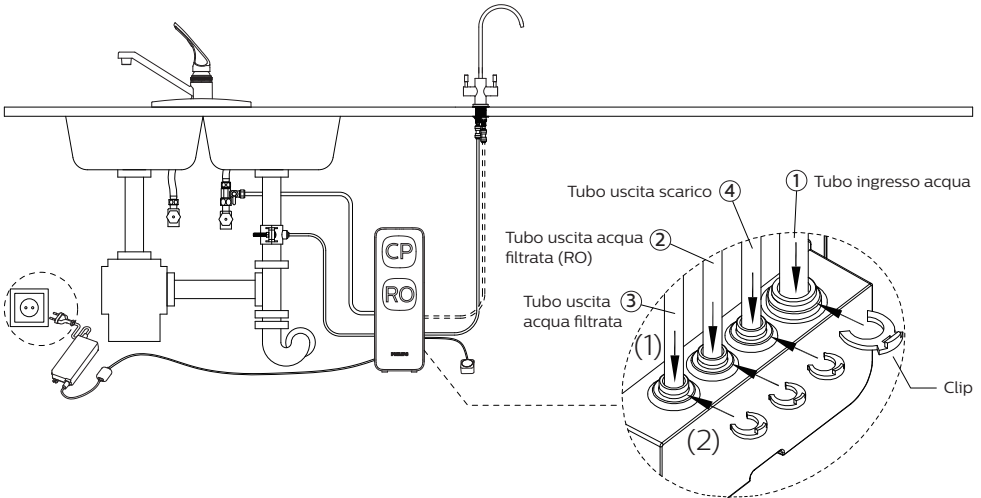


Nota:

- Non installare il connettore di scolo nello stesso tubo di scarico del tritarifiuti.
- Non penetrare nel lato opposto del tubo quando si esegue il foro.

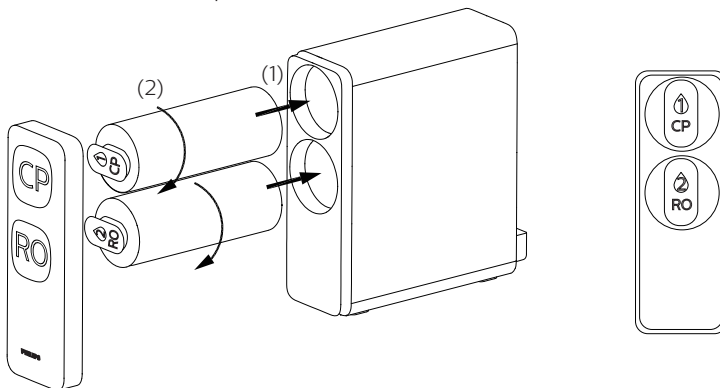
e. Connettere il rilevatore di perdite e l'adattatore alimentazione all'impianto.

NON inserire ancora la spina nella presa.

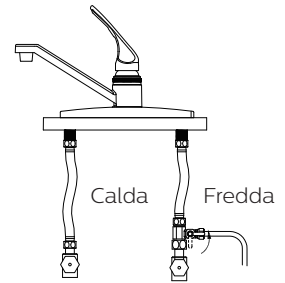


f. Collocare l'impianto nell'apposito alloggiamento nell'armadietto sotto il lavandino. Posizionare il rilevatore di perdite accanto all'impianto sul pavimento (che deve essere asciutto).

g. Rimuovere l'avvolgimento di plastica delle cartucce del filtro. Inserire le cartucce del filtro nell'impianto e girarle in senso orario, allineando l'icona triangolo sulla cartuccia all'icona lucchetto sull'impianto.



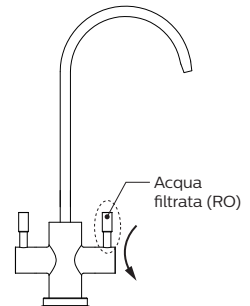
- h. Verificare che l'impianto sia correttamente installato e attivare la valvola a sfera a tre vie.



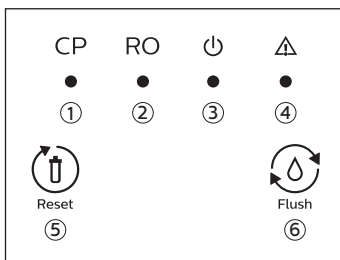
V. Istruzioni per l'uso

1. Prima del primo utilizzo

- a. Collegare l'impianto all'alimentazione. Udirete un segnale sonoro. Tutte le spie si accenderanno per 3 secondi. Lo scarico dell'impianto si attiverà automaticamente. Strofinare ed asciugare tutti i giunti e le connessioni con un panno, per verificare eventuali fughe. Se il panno resta asciutto, vorrà dire che l'impianto è stato installato correttamente. Se non v'è più nessuna operazione dopo lo sciacquo automatico, l'impianto si porterà in standby e le spie si spegneranno.
- b. Una volta completato l'auto-risciacquo, attivare la leva dell'acqua filtrata RO sul rubinetto, in modo che l'acqua fluisca per 30 minuti, con conseguente scarico dell'aria e delle particelle di carbone attraverso i filtri. Dopo di che l'impianto è pronto per l'uso e potrete tranquillamente iniziare a consumare l'acqua filtrata.



2. Interfaccia utente



- ① Spia vita utile filtro CP
- ② Spia vita utile filtro RO
- ③ Spia alimentazione
- ④ Spia errore
- ⑤ Pulsante Reset
- ⑥ Pulsante sciacquo

Quando il rubinetto è aperto, tutte le spie sono accese e mostrano la vita utile del filtro e lo stato alimentazione. La spia errore sarà spenta, a meno che non vi sia qualche anomalia.

a. Spia vita utile filtro

Stato	Spia	Avviso sonoro
Più di 14 giorni	Luce blu fissa	N/A
Meno di 14 giorni	Luce rossa lampeggiante	Vengono emessi dei beep ogniqualvolta il rubinetto è aperto, a rammentarvi che è necessario sostituire il filtro.
Il filtro ha raggiunto la fine della vita utile e deve essere sostituito immediatamente	Luce rossa costante	Vengono emessi dei beep ogniqualvolta il rubinetto è aperto, a rammentarvi che è necessario sostituire il filtro.

b. Spia errore

- Se il rubinetto resta costantemente aperto per 2 ore, l'impianto si porterà in modalità protezione e si spegnerà. Nel frattempo, la spia errore inizierà a lampeggiare in rosso e si udiranno dei beep sonori. Staccare l'impianto, attendere 1 minuto e ricollegarlo, al fine di risolvere l'inconveniente.
- In caso di perdite, la spia errore emetterà luce rossa fissa e udirete un segnale sonoro. L'impianto si porta in modalità protezione e si spegne. Vedi capitolo Risoluzione dei problemi.

c. Sciacquo automatico

- L'impianto si sciacqua automaticamente quando alimentato.
- L'impianto si sciacqua automaticamente dopo un filtraggio ininterrotto di acqua pari a 5 minuti.
- L'impianto si sciacqua automaticamente se non ha filtrato acqua per 72 ore.

d. Pulsante sciacquo

Per lo sciacquo manuale dell'impianto premere il pulsante sciacquo, con l'impianto in modalità standby. Durante lo sciacquo premere di nuovo il pulsante sciacquo per arrestare l'operazione.

e. Pulsante Reset

Per resettare l'indicazione vita utile filtro, tenere premuto il pulsante Reset per 5 secondi. Udirete un beep sonoro e la spia della vita utile del filtro CP lampeggerà in blu. Premere per breve tempo il pulsante Reset e selezionare il filtro da resettare. Quando la spia del filtro selezionato inizia a lampeggiare, tenere premuto il pulsante Reset per 3 secondi. Udirete un beep sonoro e la spia emetterà luce blu fissa. Significa che il reset della vita utile del filtro è andato a buon fine.

VI. Manutenzione

1. Manutenzione ordinaria

- Per la pulizia della custodia del dispositivo non utilizzare solventi organici come benzina, ecc. Se si rende necessario eseguire operazioni di pulizia, strofinare delicatamente la superficie del prodotto con un panno umido, dopo aver disconnesso l'alimentazione elettrica.
- Se l'impianto non viene usato per più di 2 giorni, aprire il rubinetto e far fluire l'acqua per almeno 5 minuti, in modo da sciacquare i filtri e l'impianto stesso.
- Se si prevede di non utilizzare l'impianto per un periodo di tempo prolungato, estrarre le cartucce dei filtri, sigillarle con pellicola di materiale plastico e conservarle in frigorifero (non nel freezer). Disattivare la valvola a sfera a tre vie, aprire il rubinetto per svuotare l'impianto e spegnere l'alimentazione. Prima del riutilizzo far uscire l'acqua per almeno 10 minuti, sciacquando i filtri e l'impianto stesso.

2. Vita utile filtro

Nota

Al fine di garantire le migliori prestazioni, sostituire la cartuccia del filtro secondo le indicazioni della spia vita utile filtro o in base al ciclo di sostituzione filtro come suggerito qui di seguito. Se si osserva un flusso decisamente ridotto, consigliamo di sostituire anche i filtri.

L'impianto funziona unicamente con filtri Philips.

Codice modello impianto	AUT3015
Filtro, codice modello e vita utile filtro	Filtro CP, AUT706, 6-12 mesi*
	Filtro RO, AUT767, 24-36 mesi*

* La vita utile reale della cartuccia del filtro dipende dalla qualità dell'acqua di rubinetto e dall'uso quotidiano. Il ciclo di sostituzione consigliato è una media basata su diverse qualità di acque locali di rubinetto. Se la qualità dell'acqua di rubinetto concreta è al di sotto della media, la vita utile reale della cartuccia sarà differente rispetto al ciclo di sostituzione consigliato. Se la cartuccia del filtro è bloccata, si prega di sostituirla.

3. Sostituzione della cartuccia del filtro.

- a. Prima di sostituire le cartucce del filtro, spegnere l'alimentazione e chiudere l'afflusso di acqua.

- b. Rimuovere il coperchio anteriore.
- c. Girare il filtro da sostituire in senso antiorario ed estrarlo.
- d. Rimuovere l'imballo del nuovo filtro e inserire la cartuccia nel sistema. Girare in senso orario, allineando l'icona triangolo sulla cartuccia del filtro all'icona lucchetto sull'impianto.
- e. Aprire il flusso d'acqua e riconnettere l'alimentazione. In caso di sostituzione del filtro RO, attivare la leva dell'acqua filtrata RO sul rubinetto, in modo che l'acqua fluisca per 30 minuti. Se il filtro CP viene sostituito, attivare la leva dell'acqua filtrata sul rubinetto e lasciar scorrere l'acqua per 10 minuti.
- f. Resettare la vita utile del filtro secondo il capitolo V.

Nota:

Durante le operazioni di sostituzione del filtro, se cola acqua dal filtro, potrebbe venir meno l'impostazione del rilevatore perdite al momento della riconnessione all'alimentazione. Prima di ripristinare l'alimentazione, assicurarsi che il rilevatore perdite e il pavimento siano ben asciutti.

VII. Precauzioni

1. Attenzione

- Il prodotto NON agisce da depuratore d'acqua. Come fonte di acqua utilizzare sempre acqua di rubinetto. Non utilizzare acqua microbiologicamente poco sicura o di qualità sconosciuta senza adeguata disinfezione a monte o a valle del sistema.
- L'impianto non è destinato all'impiego da parte di persone (compresi bambini) con ridotte capacità sensoriali o mentali o con scarse esperienze e conoscenze, a meno che esse non siano sotto la supervisione o abbiano ricevuto istruzioni da parte di persone responsabili per la loro incolumità in relazione all'uso del dispositivo. I bambini vanno tenuti sotto controllo, al fine di assicurarsi che non giochino con l'impianto.
- Accertarsi di maneggiare delicatamente e con attenzione il sistema. Non tentare di modificare o riparar il sistema da soli, pena la decadenza della garanzia.
- Il dispositivo è destinato unicamente all'uso in ambiente domestico.
- La temperatura dell'acqua in ingresso deve essere compresa nel range 5-38°C. Se la temperatura dell'acqua in ingresso eccede i 38°C, potrebbero verificarsi danni al filtro, che verrebbe ad essere inutilizzabile. Se la temperatura dell'acqua in ingresso è inferiore a 5°C, potrebbe verificarsi il congelamento e la rottura di componenti dell'impianto, con conseguenti perdite di acqua.

- Non invertire l'ordine di installazione delle cartucce del filtro, per evitare di compromettere le prestazioni del filtro e dell'impianto in sé.
- Se l'impianto presenta anomalie o guasti, smettere immediatamente di utilizzarlo. Chiudere la valvola ingresso aria e aprire il rubinetto per svuotare l'impianto. Tra le possibili situazioni di guasto figurano:
 - Perdite
 - Cricche o danni al prodotto
 - Rumore anomalo o cattivo odore di bruciato
 - Mancato funzionamento del dispositivo
 Contattare immediatamente il reparto assistenza clienti per prenotare un'ispezione.
- Se si prevede di non utilizzare l'impianto per un periodo di tempo prolungato, arrestare l'alimentazione acqua e chiudere il rubinetto, in modo da rilasciare la pressione interna ed evitare danni all'impianto.

VIII. Risoluzione dei problemi

Problema	Causa possibile	Soluzione
Non esce acqua dal rubinetto.	La valvola dell'acqua fredda o la valvola a sfera a tre vie è spenta.	Accendere le valvole.
	L'impianto non è connesso all'alimentazione.	Verificare che l'adattatore alimentazione sia correttamente connesso all'impianto e alla presa elettrica.
Il flusso dell'acqua rallenta.	Il filtro è bloccato.	Sostituire il filtro.
	La pressione acqua in ingresso è bassa.	Attendere finché la pressione dell'acqua in ingresso si stabilizza; oppure installare un moltiplicatore di pressione a monte dell'impianto, se la pressione acqua in ingresso è costantemente al di sotto di 0,1 MPa.

Scarsa qualità acqua in uscita.	Il filtro ha raggiunto la fine della vita utile.	Sostituire il filtro.
	L'impianto non è stato utilizzato per un po'.	Aprire il rubinetto e far fluire l'acqua per 5 minuti.
	Scarsa qualità dell'acqua in ingresso.	Come fonte di acqua utilizzare sempre acqua di rubinetto. Non utilizzare acqua microbiologicamente poco sicura o di qualità sconosciuta senza adeguata disinfezione a monte o a valle del sistema.
La spia errore rossa si accende e vengono emessi dei beep.	Si è verificata una perdita.	Accertarsi che i tubi e i filtri siano connessi correttamente. Spegnerne l'alimentazione. Pulire il rilevatore perdite e il pavimento e accertarsi che siano ben asciutti. Ripristinare l'alimentazione.
	Anomalia rilevatore perdite.	Contattare assistenza clienti.
	L'impianto ha filtrato acqua in continuazione per 2 ore.	Staccare l'impianto, attendere 1 minuto e ricollegarlo, al fine di risolvere l'inconveniente.
	Circuito stampato danneggiato.	Contattare assistenza clienti.
Le spie della vita utile del filtro non si accendono quando il rubinetto è aperto.	Modulo elettronico danneggiato.	Contattare assistenza clienti.
Il pulsante Reset non funziona.	Non è stato premuto abbastanza a lungo il pulsante per attivare il reset.	Tenere premuto il pulsante Reset per 5 secondi.
Il pulsante sciacquo non funziona.	Modulo pulsante danneggiato.	Contattare assistenza clienti.
Le spie non si accendono.	L'impianto non è connesso all'alimentazione.	Verificare che l'adattatore alimentazione sia correttamente connesso all'impianto e alla presa elettrica.
	Pannello luminoso danneggiato.	Contattare assistenza clienti.

IX. Garanzia e assistenza

Per ulteriori informazioni o in caso di problemi di qualsiasi genere, si rimanda al sito web www.philips.com o si prega di contattare il centro assistenza clienti nel paese di riferimento. Se nel vostro paese non sono a disposizione centri assistenza clienti, rivolgersi ad un locale agente Philips. Nell'arco di due anni dalla data di acquisto, riceverete assistenza gratuita in garanzia per ogni e qualsiasi danno imputabile al processo di produzione o a malfunzionamento di componenti durante le normali operazioni, a seguito di debita conferma da parte del nostro servizio manutenzione. L'assistenza in garanzia non comprende i componenti e materiali di consumo soggetti a sostituzione frequente, dispositivi ausiliari, commissioni di trasporto e servizio porta a porta. In caso di manutenzione si prega di esibire la ricevuta dell'acquisto al personale di servizio.

X. Lista d'imballaggio

Impianto	1X
Filtro CP	1X
Filtro RO	1X
Adattatore alimentazione con presa	1X
Valvola a sfera a tre vie	1X
Tubo 1/4" PE	1X
Tubo 3/8" PE	1X
Rubinetto e accessori	1X
Manuale utente	1X
Rilevatore di perdite	1X
Connettore scolo	1X

Conservare il presente manuale d'uso in condizioni idonee per ulteriori impieghi.

Le informazioni riportate nel presente manuale utente sono soggette a modifiche senza previa notifica agli utenti.

Содержание

I. Знакомство с продуктом	69
II. Спецификация продукта	69
III. Краткое описание продукта и иллюстрация установки	70
IV. Установка	71
Установите трехходовой шаровой кран	72
Установите смеситель	74
Установка системы	74
V. Инструкция по применению	78
Перед первым использованием	78
Пользовательский интерфейс	78

VI. Техническое обслуживание	80
Регулярное техническое обслуживание	80
Срок службы фильтра	80
Замена фильтрующего картриджа	81
VII. Меры предосторожности	81
Предупреждение	81
VIII. Выявление неисправностей	82
IX. Гарантия и техническое обслуживание	84
X. Упаковочный лист	84



Установка

I. Знакомство с продуктом

Поздравляем с покупкой и добро пожаловать в Philips! Наши системы фильтрации воды с обратным осмосом для установки под раковину отличаются высокой скоростью фильтрации и безрезервуарной конструкцией, что обеспечивает фильтрацию каждой капли воды и экономит место. Мембрана обратного осмоса обеспечивает уровень глубокой фильтрации до 0,0001 микрон, что эффективно устраняет вирусы, бактерии, тяжелые металлы, пестициды, жесткость воды, летучие органические соединения, хлор и многое другое, наделяя воду отличным вкусом.*

Перед использованием прибора внимательно прочтите это руководство пользователя. Сохраните его для обращения к нему в дальнейшем.

Примечание:

Вода, подаваемая системами обратного осмоса, имеет низкое содержание минералов. Минеральные соли, необходимые человеческому организму, поступают с пищей и, в меньшей степени, с водой, которую мы пьем.

* Вещества, которые устраняет или количество которых сокращает эта система, не обязательно присутствуют во всей воде пользователя.

II. Спецификация продукта

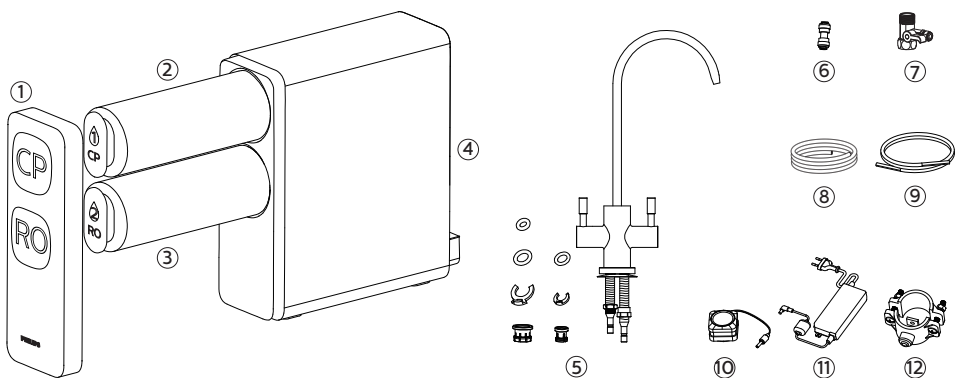
Наименование продукта	Система фильтрации воды Philips с обратным осмосом для установки под раковину
Модель продукта	AUT3015
Расход фильтрованной воды	2 литра/минута
Расход воды, отфильтрованной обратным осмосом	1,58 литров/минута
Фильтрующая способность	СР-фильтр: 6 000 литров Фильтр обратного осмоса: 11 000 литров
Давление воды на входе	0,1-0,4 МПа**
Температура воды на входе	5С-38С
Номинальное напряжение	24 В===

Номинальная мощность	90 Вт
Максимальный уровень TDS воды на входе	1500 ppm***
Максимальная жесткость воды на входе	25 °НF (5 °Ж)***
Допустимый источник воды	Муниципальная водопроводная вода, соответствующая всем требованиям Европейской директивы 98/83 о качестве воды, предназначенной для потребления людьми, и ее национальным транспонированиям в различных странах-членах ЕС.

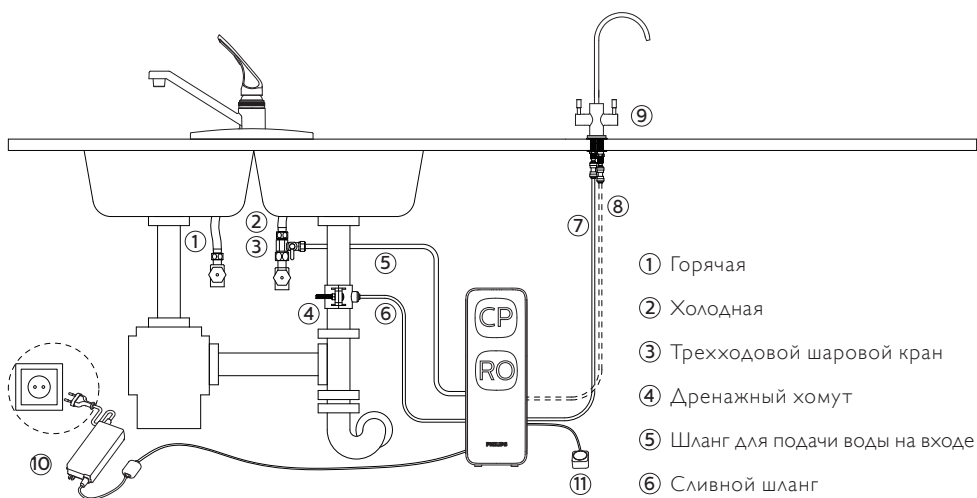
** Если давление воды на входе превышает 0,4 МПа, перед системой следует установить клапан избыточного давления. Если давление воды на входе ниже 0,1 МПа, перед системой следует установить усилитель давления. Клапан избыточного давления и усилитель давления необходимо приобретать отдельно.

*** Если минерализация воды на входе превышает 1500 ppm или жесткость превышает 25 °НF (5 °Ж), это может сократить срок службы фильтров. Пожалуйста, проконсультируйтесь со своим дилером по поводу установки фильтров предварительной очистки перед системой.

III. Краткое описание продукта и иллюстрация установки



- ① Cover
- ② Осадочный фильтр и углеродный блок 2-в-1 (CP)
- ③ Фильтр обратного осмоса (RO)
- ④ Система
- ⑤ Смеситель и аксессуары
- ⑥ Фитинг быстрого соединения
- ⑦ Трехходовой шаровый кран
- ⑧ Полиэтиленовая труба 1/4" (6,35 мм)
- ⑨ Полиэтиленовая труба 3/8" (9,525 мм)
- ⑩ Датчик протечки
- ⑪ Блок питания с вилкой
- ⑫ Дренажный хомут



- ① Горячая
- ② Холодная
- ③ Трехходовой шаровый кран
- ④ Дренажный хомут
- ⑤ Шланг для подачи воды на входе
- ⑥ Сливной шланг
- ⑧ Выпускная труба для фильтрованной воды
- ⑦ Смеситель
- ⑨ Выпускная труба для воды, отфильтрованной обратным осмосом
- ⑩ Блок питания
- ⑪ Датчик протечки

IV. Установка

Примечание:

- Перед установкой важно проверить состояние системы, чтобы убедиться, что она не была повреждена во время транспортировки.

- Распакуйте систему и ее аксессуары. Удалите защитный упаковочный материал. Для упаковки использовались перерабатываемые материалы, которые следует утилизировать в соответствующих мусорных баках или в специальном местном центре по переработке отходов.

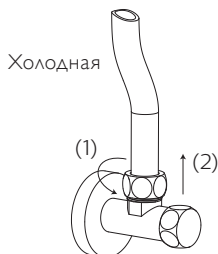
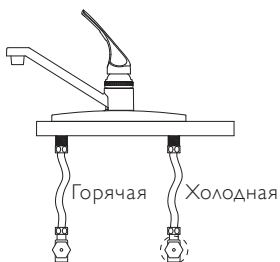
Предупреждение: Храните полиэтиленовые пакеты в недоступном для детей месте, так как они могут представлять опасность.

- Проверьте, нет ли отсутствующих деталей в соответствии с упаковочным листом и кратким описанием.
- С учетом того, что система предназначена для улучшения качества питьевой воды, все инструменты, которые будут использоваться в процессе установки, должны быть чистыми, обезжиренными и без ржавчины.
- Процесс установки должен осуществляться при соответствующих гигиенических условиях, с соблюдением всех необходимых мер предосторожности в отношении материалов и компонентов, которые будут контактировать с водой, предназначенной для обработки и потребления.
- Не допускайте внешнего загрязнения системы из-за неправильного обращения — используйте перчатки и дезинфицирующие гели, а также мойте руки так часто, как это необходимо во время процесса установки, первого использования и обслуживания системы.
- Система и установка должны соответствовать действующим местным нормам.
- Это изделие нельзя утилизировать вместе с другими хозяйственно-бытовыми отходами. По истечении срока службы изделия его следует вернуть по месту покупки или в местный центр переработки отходов, указав, что он содержит электрические и электронные компоненты. Соответствующие прием и утилизация изделия, которое больше не будет использоваться, способствует сохранению природных ресурсов и предотвращает любые потенциальные риски для здоровья населения.

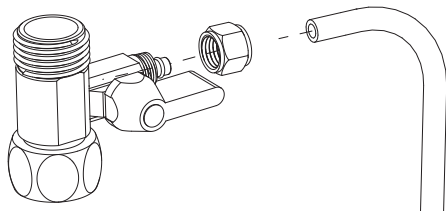


1. Установите трехходовой шаровой кран

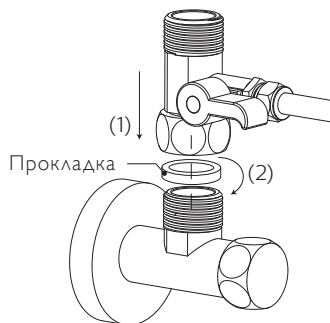
- Отключите подачу холодной воды. Включите смеситель для холодной воды на кухне, чтобы сбросить давление и слить остатки воды. Отсоедините шланг холодной воды от клапана холодной воды.



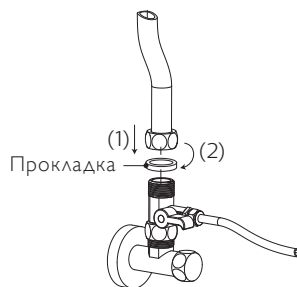
- в. Наденьте гайку трехходового шарового крана на полиэтиленовую трубу 3/8" (9,525 мм) и вставьте трубу в отверстие трехходового шарового крана. Затяните гайку гаечным ключом.



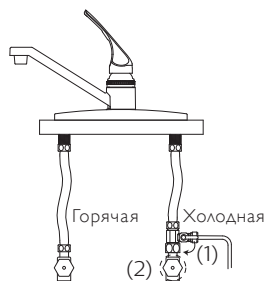
- с. Установите трехходовой шаровый кран на смеситель холодной воды. Пожалуйста, во время установки не забудьте про уплотняющую прокладку внутри трехходового шарового крана.



- д. Соедините шланг холодной воды с трехходовым шаровым краном и плотно закрутите гаечным ключом. Пожалуйста, во время установки не забудьте про уплотняющую прокладку в шланге для холодной воды.



- е. Выключите трехходовой шаровой кран. Включите подачу холодной воды. Протрите места соединения салфеткой, чтобы проверить, нет ли протечки. Если салфетка останется сухой, это значит, что трехходовой шаровой кран установлен правильно.



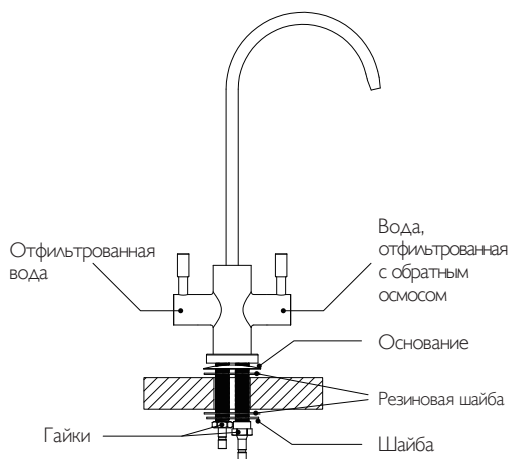
2. Установите смеситель

Примечание:

Выберите подходящее место для установки. В помещении, где установлен смеситель, должны соблюдаться все соответствующие гигиенические и санитарные нормы. Убедитесь, что смеситель стоит ровно на поверхности раковины или столешницы.

а. Просверлите отверстие диаметром около 29 мм. Пропустите этот шаг, если в поверхности раковины или столешницы уже есть отверстие.

б. Установите смеситель согласно схеме. Закрутите гайку штока смесителя до упора вверх по штоку смесителя и затяните ее с помощью торцевого гаечного ключа на 14 мм, чтобы зафиксировать смеситель.



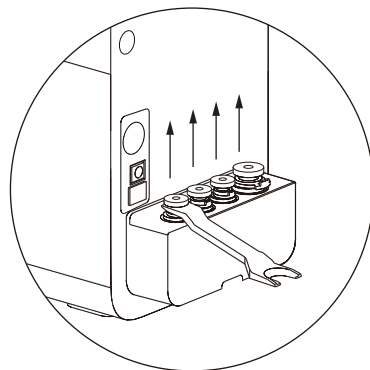
3. Установка системы

Примечание:

Пожалуйста, проверьте, достаточно ли места для установки самой системы, ее аксессуаров и соединений, а также для обслуживания и ремонта. Ни при каких обстоятельствах нельзя устанавливать систему на открытом воздухе. Помещение, где установлена система, должно соответствовать всем надлежащим гигиеническим и санитарным нормам. Следите, чтобы внешняя капаящая жидкость из труб, водостока и подобного не попадала на систему.

Данную систему следует разместить на устойчивой и ровной поверхности. Храните систему вдали от источников тепла. Ее нельзя размещать в местах, где возможна утечка горячего газа.

а. Нажмите на цанги и вытащите заглушки из впускного и выпускного отверстий для воды в задней части системы.



- b. Соедините впускное отверстие для воды и трехходовой шаровой кран. Отмерьте длину трубы 3/8" (9,525 мм), необходимую для соединения системы и трехходового шарового крана, и в соответствии с этим обрежьте ее труборезом. Вставьте другой конец трубы 3/8" (9,525 мм), которая была соединена с трехходовым шаровым клапаном, во впускное отверстие для воды в задней части системы. Используйте зажим, чтобы закрепить трубу в отверстии.

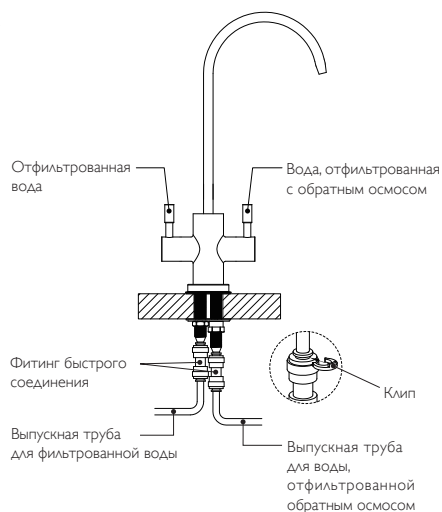
Примечание: давление воды на входе должно быть в пределах 0,1-0,4 МПа. Если давление слишком низкое, перед системой следует установить усилитель давления. Если давление слишком высокое, перед системой следует установить клапан избыточного давления. Клапан избыточного давления и усилитель давления необходимо приобретать отдельно.

- c. Соедините выпускные отверстия для воды и смеситель. Отмерьте длину трубы 1/4" (6,35 мм), необходимую для соединения системы и смесителя, и обрежьте трубу 1/4" (6,35 мм) труборезом. Вставьте один конец трубы в фитинг быстрого соединения и подсоедините фитинг быстрого соединения к длинной части штока смесителя. Вставьте другой конец 1/4" (6,35 мм) трубы в выпускное отверстие для воды, фильтрованной обратным осмосом, в задней части системы до упора. Используйте зажим, чтобы закрепить трубу в отверстии.

Обрежьте труборезом еще одну трубу 1/4" (6,35 мм).

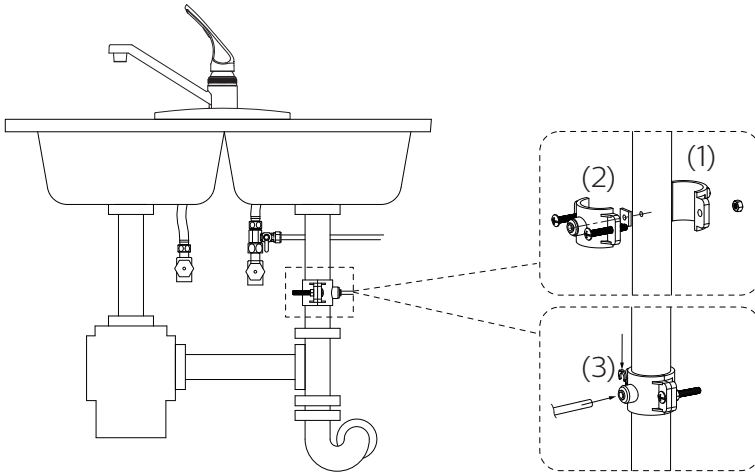
Вставьте один конец трубы в фитинг быстрого соединения и подсоедините фитинг быстрого соединения к короткой части штока смесителя.

Вставьте другой конец 1/4" (6,35 мм) трубы в выпускное отверстие для фильтрованной воды в задней части системы до упора. Используйте зажим, чтобы закрепить трубу в отверстии.



d. Подсоедините трубку для слива воды и дренажный хомут

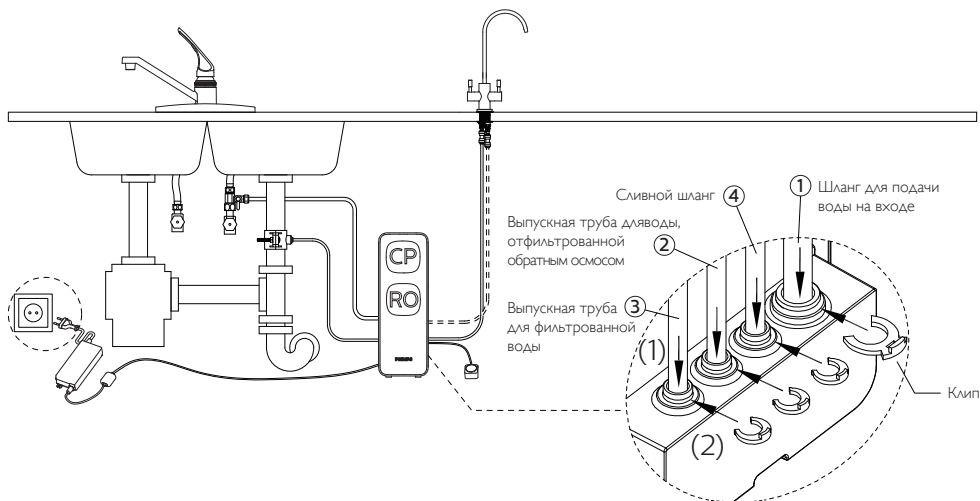
Определите место расположения сливного патрубка. Просверлите отверстие диаметром 6.5 мм на сливной трубе. Установите дренажный хомут в соответствии со схемой. Надежно затяните гайки. Отрежьте отрезок трубы диаметром 1/4". Вставьте один конец трубы в отверстие сливного патрубка в задней части системы до упора. Закрепите трубу в отверстии с помощью зажима. Вставьте другой конец трубы в дренажный хомут



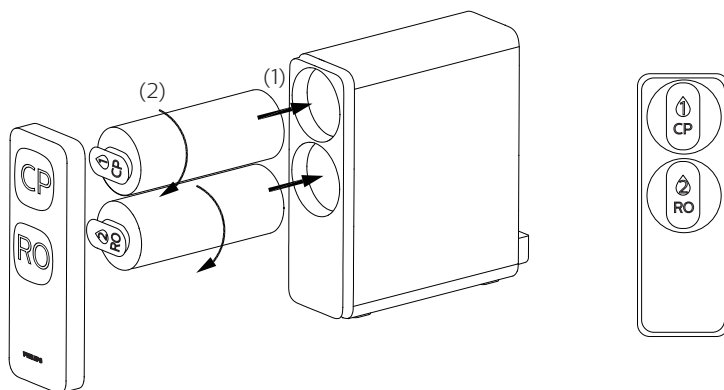
Примечание:

- Не устанавливайте дренажный хомут на ту же сливную трубу, что и измельчитель пищевых отходов
- При сверлении отверстия не проникайте в противоположную сторону трубы.

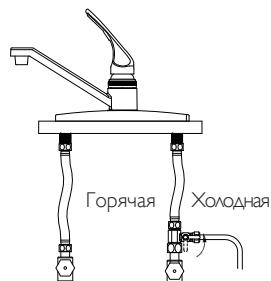
- е. Подключите датчик протечки и блок питания к системе. НЕ вставляйте вилку в розетку на данном этапе.



- ф. Переместите систему на свое место в тумбу под раковиной и поместите датчик протечки рядом с системой на сухом полу.
- г. Снимите пластиковую пленку с фильтрующих картриджах. Вставьте фильтрующие картриджи в систему соответствующим образом и поверните их по часовой стрелке, чтобы совместить значок треугольника на фильтрующем картридже со значком замка на системе.



h. Убедитесь, что система установлена надлежащим образом, и включите трехходовой шаровой кран.



V. Инструкция по применению

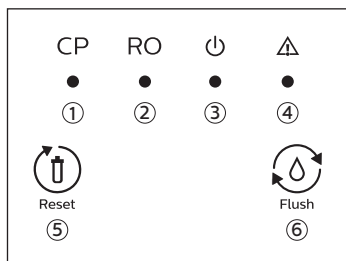
1. Перед первым использованием

а. Подключите систему к источнику питания. Вы услышите звуковой сигнал, и все индикаторы загорятся на 3 секунды. Промывка системы будет включена автоматически. Протрите все стыки и места соединения салфеткой, чтобы проверить, нет ли протечки. Если салфетка останется сухой, это значит, что система установлена правильно. Если после автоматической промывки больше не будет никаких операций, система перейдет в режим ожидания, а индикаторы погаснут.

б. После завершения автоматической промывки откройте крана для воды с фильтром обратного осмоса, чтобы вода текла в течение 30 минут для очистки фильтров от воздуха и угольной пыли. После этого система будет готова к использованию, и можно будет приступить к потреблению отфильтрованной воды.



2. Пользовательский интерфейс



- ① Индикатор срока службы CP-фильтра
- ② Индикатор срока службы фильтра обратного осмоса
- ③ Индикатор питания
- ④ Индикатор ошибки
- ⑤ Кнопка сброса
- ⑥ Кнопка промывки

Когда при включении смесителя, все индикаторы загорятся для демонстрации срока службы фильтра и состояния питания, индикатор ошибки будет выключен, если ошибки не будут выявлены.

а. Индикатор срока службы фильтра

Состояние	Индикатор	Звуковое оповещение
Более 14 дней	Непрерывный синий свет	Не предусмотрен
Менее 14 дней	Мигающий красный свет	При каждом включении смесителя будут раздаваться звуковые сигналы, напоминающие о необходимости заменить фильтр.
Срок службы фильтра подошел к концу, и его следует немедленно заменить.	Непрерывный красный свет	При каждом включении смесителя будут раздаваться звуковые сигналы, напоминающие о необходимости заменить фильтр.

б. Индикатор ошибки

- Если смеситель будет непрерывно включен в течение 2 часов, система перейдет в безопасный режим и отключится. Тем временем индикатор ошибки замигает красным светом, и вы услышите звуковые сигналы. Отключите систему, подождите 1 минуту и снова подключите, чтобы устранить проблему.
- При обнаружении протечки датчик ошибки будет непрерывно гореть красным светом, и вы услышите звуковые сигналы. Система перейдет в безопасный режим и выключится. Пожалуйста, обратитесь к инструкции по выявлению неисправностей, чтобы решить проблему.

с. Автоматическая промывка

- Система промывается автоматически при включении.
- Система промывается автоматически, если она непрерывно фильтровала воду в течение 5 минут.
- Система промывает автоматически, если она не фильтровала воду в течение 72 часов.

д. Кнопка промывки

Вы можете промыть систему в режиме ручного управления, нажав кнопку промывки, когда система находится в режиме ожидания. Во время процесса снова нажмите кнопку промывки, чтобы остановить его.

е. Кнопка сброса

Чтобы сбросить срок службы фильтра, нажмите и удерживайте кнопку сброса в течение 5 секунд. Вы услышите звуковой сигнал, и индикатор срока службы СР-фильтра замигает синим светом. Снова коротко нажмите кнопку сброса, чтобы выбрать фильтр, у которого необходимо сбросить срок службы.

Когда индикатор выбранного фильтра замигает, нажмите и удерживайте кнопку сброса в течение 3 секунд. Вы услышите звуковой сигнал, а индикатор загорится непрерывным синим светом. Это означает, что срок службы фильтра был успешно сброшен.

VI. Техническое обслуживание

1. Регулярное техническое обслуживание

- Запрещается использовать органические растворители, например, бензин и подобные, для протирки корпуса устройства. Если требуется очистка, осторожно протрите поверхность изделия влажной тряпкой, предварительно отключив его от источника питания.
- Если система не использовалась более 2 дней, включите смеситель и сливайте воду не менее 5 минут, чтобы промыть фильтры и систему.
- Если система не будет использоваться в течение длительного периода, выньте фильтрующие картриджи, плотно запечатайте их полиэтиленовой пленкой и храните в холодильнике (не в морозильной камере). Выключите трехходовой шаровой кран, включите смеситель, чтобы опорожнить систему, и отключите питание. Перед повторным использованием слейте воду в течение не менее 10 минут, чтобы промыть фильтры и систему.

2. Срок службы фильтра

Примечание

Для лучшей производительности меняйте фильтрующий картридж в соответствии с индикатором срока службы фильтра или циклом замены фильтра, предложенным ниже. Если наблюдается значительно сниженная скорость потока, мы рекомендуем также заменить фильтры.

Эта система может работать только с фильтрами Philips.

Код модели системы	AUT3015
Фильтр, код модели и срок службы фильтра	СР-фильтр, AUT706, 6-12 месяцев*
	Фильтр обратного осмоса, AUT767 24-36 месяцев*

* Фактический срок службы фильтрующего картриджа зависит от качества местной водопроводной воды и ежедневного использования. Рекомендуемый цикл замены — это среднее значение, основанное на различном местном качестве водопроводной воды. Если качество местной водопроводной воды ниже среднего значения, фактический срок службы картриджа будет отличаться от рекомендуемого цикла замены. Если фильтрующий картридж засорится, замените его.

3. Замена фильтрующего картриджа

- a. Перед заменой фильтрующих картриджей отключите питание и подачу воды.
- b. Снимите переднюю крышку.
- c. Поверните фильтр, который необходимо заменить, против часовой стрелки и вытащите его.
- d. Снимите упаковку с нового фильтра и вставьте картридж в систему. Поверните его по часовой стрелке, чтобы совместить значок треугольника на фильтрующем картридже со значком замка на системе.
- e. Включите подачу воды и снова подключите питание. Если заменяется фильтр обратного осмоса, откройте кран для фильтрованной воды обратного осмоса и дайте воде стечь в течение 30 минут. Если заменяется фильтр CP, откройте кран подачи фильтрованной воды и дайте воде стечь в течение 10 минут.
- f. Сбросьте срок службы фильтра в соответствии с главой V.

Примечание:

Если в процессе замены фильтра из фильтра будет капать вода, это может привести к срабатыванию датчика протечки при повторном подключении к питанию. Перед повторным подключением к питанию насухо протрите датчик протечки и пол.

VII. Меры предосторожности

1. Предупреждение

- Это НЕ очиститель воды. В качестве источника воды всегда используйте муниципальную водопроводную воду. Не используйте воду, небезопасную с микробиологической точки зрения, или воду неизвестного качества без надлежащей дезинфекции до или после системы.
- Эта система не предназначена для использования лицами (включая детей) с ограниченными физическими, сенсорными или умственными способностями или не обладающим достаточными знаниями и опытом, если только они не находятся под присмотром или не были проинструктированы относительно использования устройства лицом, ответственным за их безопасность. Следите за детьми, чтобы они не играли с системой.

- Обращайтесь с системой бережно и осторожно. Не пытайтесь самостоятельно модифицировать или ремонтировать систему, иначе гарантия станет недействительной.
- Это устройство предназначено только для домашнего использования.
- Температура воды на входе в систему должна быть в пределах 5-38°C . Если температура воды на входе превысит 38°C , фильтр может повредиться и выйти из строя. Если температура воды на входе будет ниже 5°C, это может вызвать замерзание и разрушение частей системы, что приведет к протечке воды.
- Не меняйте порядок установки фильтрующих картриджей, чтобы не повлиять на работу фильтра в системе.
- Если система неисправна или бракована, немедленно прекратите ее использование. Закройте впускной водяной клапан и откройте кран, чтобы опорожнить систему.
К случаям неисправностей относятся:
Протечка
Изделие треснуто или повреждено
Наблюдается необычный звук или запах гари
Прибор не работает
Немедленно обратитесь в службу сервисного обслуживания клиентов для проверки.
- Если система не используется в течение длительного периода, отключите подачу воды и откройте кран, чтобы сбросить внутреннее давление и избежать повреждения системы.

VIII. Выявление неисправностей

Проблема	Возможная причина	Решение
Из крана не течет вода.	Клапан холодной воды или трехходовой шаровой кран выключен.	Подключите клапан или кран.
	Система не подключена к питанию.	Убедитесь, что блок питания правильно подключен к системе и розетке.
Скорость потока снижается.	Фильтр засорился.	Замените фильтр.
	Давление воды на входе низкое.	Подождите, пока давление воды на входе не стабилизируется, или установите усилитель давления перед системой, если давление воды на входе постоянно ниже 0,1 МПа.

Плохое качество воды на выходе.	Срок службы фильтра подошел к концу.	Замените фильтр.
	Система некоторое время не использовалась.	Откройте кран и сливайте воду в течение 5 минут.
	Плохое качество воды на входе.	В качестве источника воды всегда используйте муниципальную водопроводную воду. Не используйте воду, небезопасную с микробиологической точки зрения, или воду неизвестного качества без надлежащей дезинфекции до или после системы.
Индикатор ошибки горит красным светом, и раздаются звуковые сигналы.	Есть протечка.	Проверьте, что трубы и фильтры правильно подключены. Отключите подачу питания. Протрите датчик протечки и пол и убедитесь, что они сухие. Заново подключите питание.
	Детектор протечки неисправен.	Обратитесь в службу сервисного обслуживания клиентов.
	Система фильтрует воду непрерывно в течение 2 часов.	Отключите систему, подождите 1 минуту и снова подключите, чтобы устранить проблему.
	Печатная плата повреждена.	Обратитесь в службу сервисного обслуживания клиентов.
Индикаторы срока службы фильтра не загораются при включении смесителя.	Электронный модуль поврежден.	Обратитесь в службу сервисного обслуживания клиентов.
Кнопка сброса не работает.	Нажатие кнопки было недостаточно долгим, чтобы вызвать сброс.	Нажмите и удерживайте кнопку сброса в течение 5 секунд.
Кнопка промывки не работает.	Кнопочный модуль поврежден.	Обратитесь в службу сервисного обслуживания клиентов.
Индикаторы не горят.	Система не подключена к питанию.	Убедитесь, что блок питания правильно подключен к системе и розетке.
	Световая панель повреждена.	Обратитесь в службу сервисного обслуживания клиентов.

IX. Гарантия и техническое обслуживание

Если вам нужна информация или если у вас возникли какие-либо проблемы, посетите сайт www.philips.com или обратитесь в центр сервисного обслуживания клиентов в вашей стране. Если в вашей стране нет центра сервисного обслуживания клиентов, обратитесь к местному дилеру. В течение двух лет с даты покупки вы получите бесплатное гарантийное обслуживание любого повреждения, вызванного производственным процессом, или компонентов при нормальном режиме эксплуатации, подтвержденным нашей службой технического обслуживания. Гарантийное обслуживание не распространяется на часто заменяемые расходные материалы, вспомогательные устройства, транспортные расходы и доставку «от двери до двери». Пожалуйста, предъявите доказательство покупки ремонтному персоналу во время технического обслуживания.

X. Упаковочный лист

Система	1шт
СР-фильтр	1шт
Фильтр обратного осмоса	1шт
Блок питания с вилкой	1шт
Трехходовой шаровой кран	1шт
Полиэтиленовая труба 1/4" (6,35 мм)	1шт
Полиэтиленовая труба 3/8" (9,525 мм)	1шт
Смеситель и аксессуары	1шт
Руководство пользователя	1шт
Датчик протечки	1шт
Дренажный хомут	1шт

Сохраните руководство по эксплуатации для дальнейшего использования.

Информация в этом руководстве пользователя может быть изменена без предварительного уведомления пользователей.



Specifications are subject to change without notice
www.philips.com/water

© 2021 AquaShield

All rights reserved.

The Philips trademark and the Philips Shield Emblem are registered trademarks of Koninklijke Philips N.V. used under license.

This product has been manufactured by and is sold under the responsibility of Hong Kong AquaShield Health Technology Company Limited and Hong Kong AquaShield Health Technology Company Limited is the warrantor in relation to this product.

Rev A JUN 21

